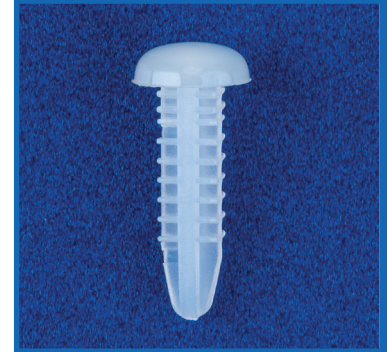


Nylon Push Rivet



DESCRIPTION

Nylon push rivet with a serrated, square cross-section.

DISTINCTIVE FEATURES

- Held in place by its serrated surface
- Ideal for blind holes

APPLICATIONS

Mounting PCBs. Ideal for use in blind holes or where there is no access to the underside of a chassis.

**Nylon
66**

**UL94-
V2**





GENERAL SPECIFICATION

Series	Push rivets
Type	Pine tree clip
External Features	Serrated surface



MATERIALS

Material	UL approved Nylon 66, 94-V2
Colour	Natural



ENVIRONMENTAL/OPERATING SPECIFICATION

Flame Resistance	UL 94-V2
------------------	----------



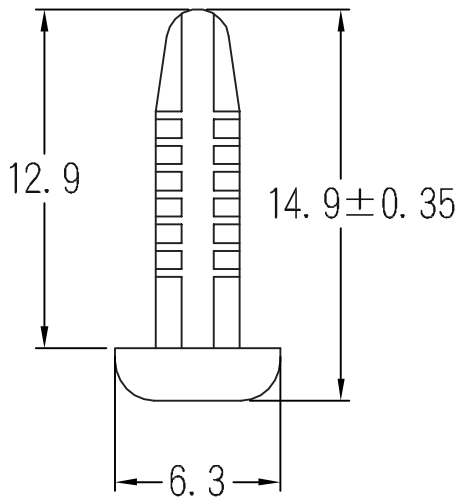
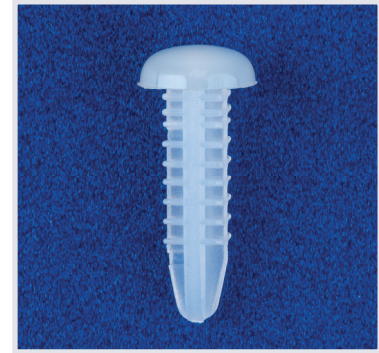
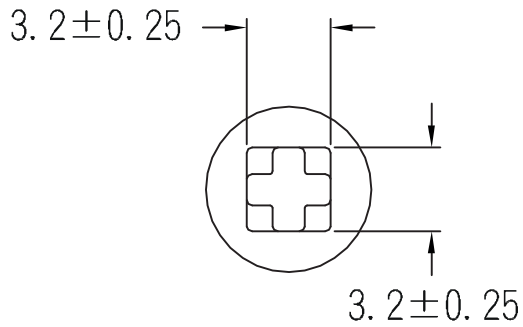
OPTIONS

Size	Other sizes available
Colour	Black



DIMENSIONS/DRAWINGS

Dimensions	mm
------------	----



PART NUMBER TABLE

Part Number Units	Chassis hole diameter mm	Pack Quantity (pieces)	Weight (per piece) g	EAN	UNSPSC	Country of Origin
52-4354	4.5	100	0.167	5053556004690	31161816	Taiwan

R-TECH

Tried & trusted technology

Important Notice: This data sheet and its contents (the "Information") belong to Rapid Electronics Limited or are licensed to it. No licence is granted for the use of it other than for information purposes in connection with the products to which it relates. No licence of any intellectual property rights is granted. The Information is subject to change without notice and replaces all data sheets previously supplied. The Information supplied is believed to be accurate but Rapid Electronics Limited assumes no responsibility for its accuracy or completeness, any error in or omission from it or for any use made of it. Users of this data sheet should check for themselves the Information and the suitability of the products for their purpose and not make any assumptions based on information included or omitted. Liability for loss or damage resulting from any reliance on the Information or use of it (including liability resulting from negligence or where Rapid Electronics Limited were aware of the possibility of such loss or damage arising) is excluded. This will not operate to limit or restrict Rapid Electronics Limited's liability for death or personal injury resulting from its negligence.