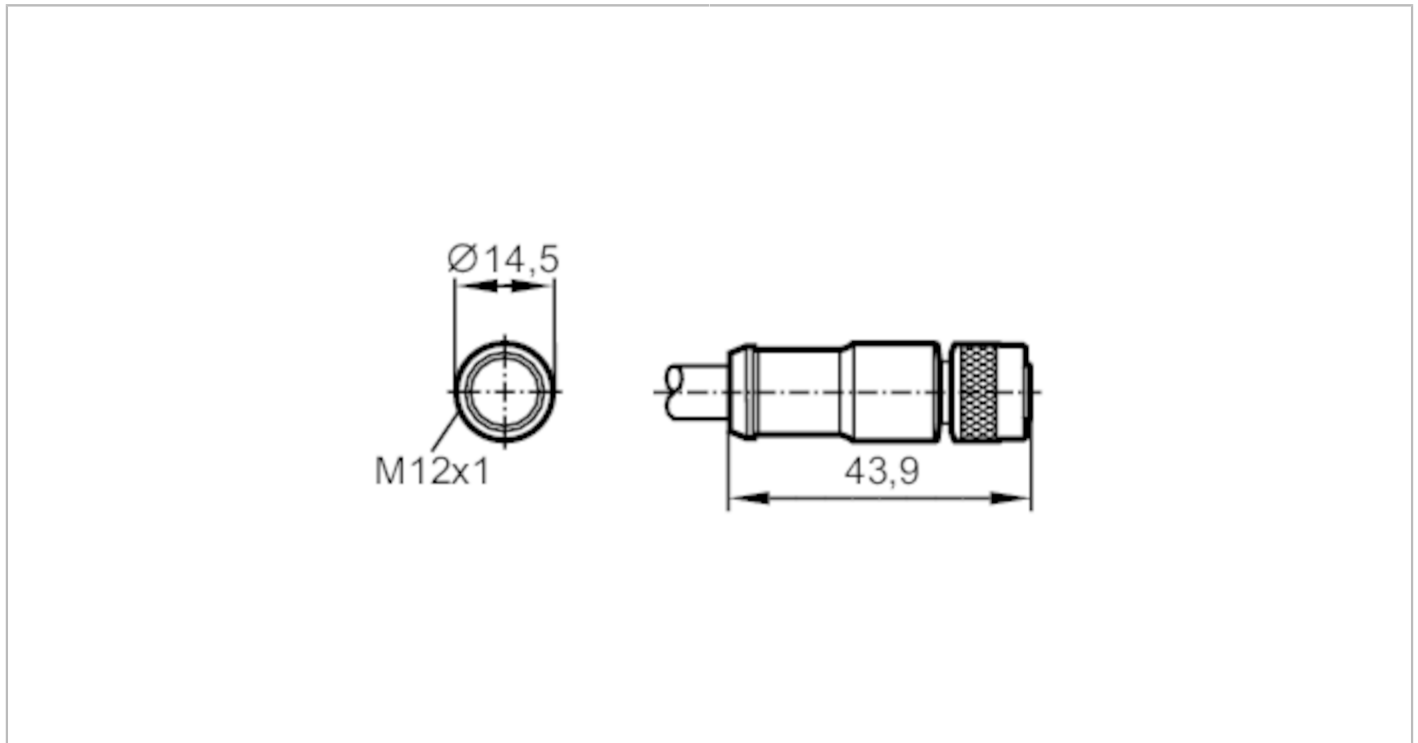


E12320



Connecting cable with socket

ADOGH050MSS0002K02



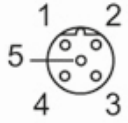
Application	
Special feature	Halogen-free; Gold-plated contacts; Screened cable
Electrical data	
Operating voltage [V]	< 30 AC / < 36 DC
Max. current load total [A]	4; (...40 °C)
Operating conditions	
Ambient temperature [°C]	-25...85
Protection	IP 67
Mechanical data	
Weight [g]	145.4
Dimensions [mm]	14.5 x 14.5 x 43.9
Materials	PUR
Material nut	brass, nickel-plated
Remarks	
Pack quantity	1 pcs.
Electrical connection	
Cable: 2 m, PUR, Halogen-free, lilac, Ø 8 mm, shielded; 2 x 0.25 mm ²	
Electrical connection - socket	
Connector: 1 x M12, straight; Moulded body: PUR; Locking: brass, nickel-plated; Contacts: gold-plated; Tightening torque: 0.6 Nm; Shielded connection cable: screen connected	

E12320

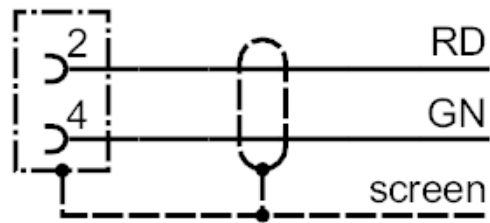


Connecting cable with socket

ADOGH050MSS0002K02



Connection



Core colours :

GN = green
RD = red