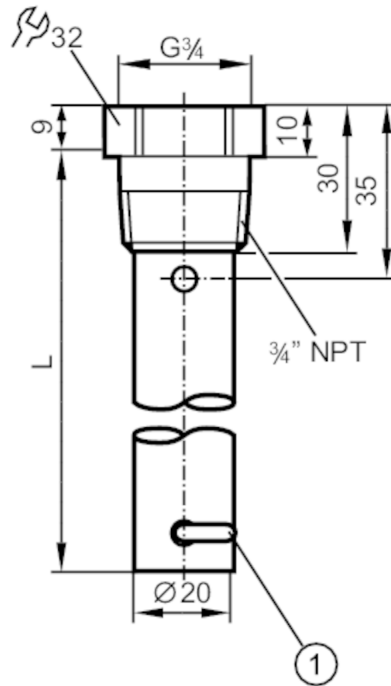


E43223



Coaxial pipe for level sensors

LR COAX TUBE NPT L1200



1 fixing bracket for centring piece

Application

| | | |
|--------------------|----------------------|---------|
| Design | for level sensors LR | |
| Medium temperature | [°C] | 0...90 |
| Tank pressure | [bar] | -1...16 |

Mechanical data

| | | |
|--------------------|---|------|
| Weight | [g] | 685 |
| Materials | stainless steel (1.4301 / 304); Centring piece: PP glass fibre reinforced; fixing bracket: stainless steel (1.4310 / 301) | |
| Process connection | 3/4 NPT | |
| Length | [mm] | 1200 |

Remarks

| | | |
|---------------|--------|--|
| Pack quantity | 1 pcs. | |
|---------------|--------|--|