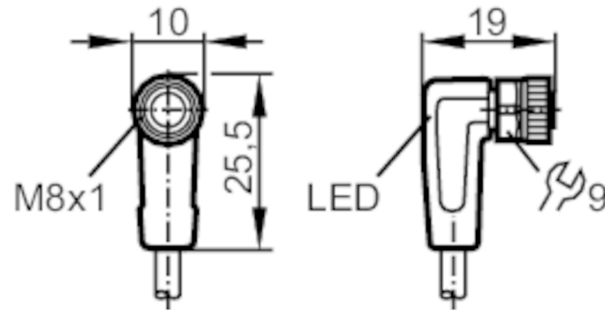


EVC148



Connecting cable with socket

ADOAF032MSS0005H03



Application

Special feature	Free from silicone; Halogen-free; Gold-plated contacts; Drag chain suitability
Free from silicone	yes

Electrical data

Operating voltage	[V]	10...36 DC
Protection class		III
Max. current load total	[A]	3

Outputs

Electrical design	PNP
-------------------	-----

Operating conditions

Ambient temperature	[°C]	-25...90
Note on ambient temperature		cULus: ...80
Ambient temperature (moving)	[°C]	-25...90
Note on ambient temperature (moving)		cULus: ...80
Protection		IP 65; IP 67; IP 68; IP 69K

Tests / approvals

MTTF	[years]	31710
------	---------	-------

EVC148



Connecting cable with socket

ADOAF032MSS0005H03

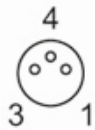
Mechanical data		
Weight [g]	110.8	
Dimensions [mm]	19 x 10 x 25.5	
Materials	housing: TPU black transparent; Sealing: FKM	
Material nut	brass, nickel-plated	
Drag chain suitability	yes	
Drag chain suitability	bending radius for flexible use	min. 10 x cable diameter
	travel speed	max. 3.3 m/s for a horizontal travel length of 5 m and max. acceleration of 5 m/s ²
	bending cycles	> 5 Mio.
	torsional strain	± 180 °/m

Displays / operating elements		
Display	switching status	1 x LED, yellow
	operation	1 x LED, green

Remarks	
Pack quantity	1 pcs.

Electrical connection	
Cable: 5 m, PUR, Halogen-free, black, Ø 3.7 mm; 3 x 0.25 mm ² (32 x Ø 0.1 mm)	

Electrical connection - socket	
Connector: 1 x M8, angled; Locking: brass, nickel-plated; Contacts: gold-plated; Tightening torque: 0.3...0.5 Nm	



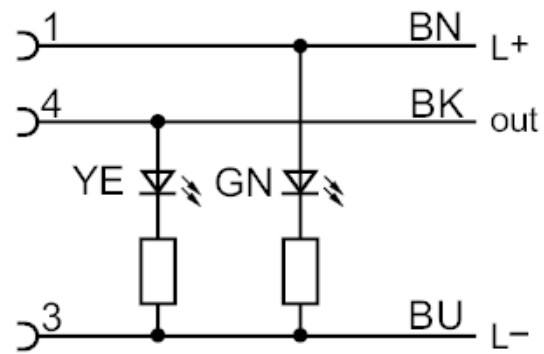
EVC148



Connecting cable with socket

ADOAF032MSS0005H03

Connection



Core colours :

BK = black
BN = brown
BU = blue