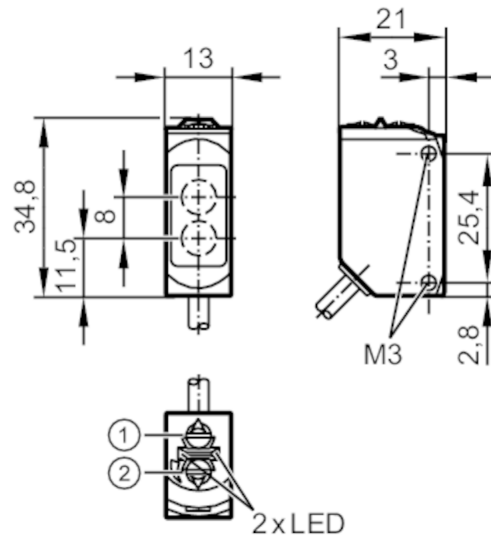


O6T404



Diffuse reflection sensor

O6T-FPKG/0,30m/US



- 1 output function switch
 - 2 potentiometer sensitivity
- receiver in upper lens
transmitter in lower lens



Product characteristics

Type of light	red light
Housing	rectangular
Dimensions [mm]	34.8 x 13 x 21

Application

Function principle	Diffuse reflection sensor
Application	suited for use in the machine tool industry

Electrical data

Operating voltage [V]	10...30 DC
Current consumption [mA]	16; ((24 V))
Protection class	III
Reverse polarity protection	yes
Type of light	red light
Wave length [nm]	633

O6T404



Diffuse reflection sensor

O6T-FPKG/0,30m/US

Outputs		
Electrical design		PNP
Output function		light-on/dark-on mode; (selectable)
Max. voltage drop switching output DC	[V]	2.5
Permanent current rating of switching output DC	[mA]	100
Switching frequency DC	[Hz]	1000
Short-circuit protection		yes
Type of short-circuit protection		pulsed
Detection zone		
Range	[mm]	5...500; (white paper 200 x 200 mm 90% remission)
Range adjustable		yes
Max. light spot diameter	[mm]	15
Light spot dimensions refer to		at maximum range
Monitoring range final value	[mm]	100...500
Operating conditions		
Ambient temperature	[°C]	-25...60
Protection		IP 65; IP 67; IP 68
Tests / approvals		
EMC		EN 60947-5-2
MTTF	[years]	896
UL approval		UL Approval no. E020
Mechanical data		
Weight	[g]	51.3
Housing		rectangular
Dimensions	[mm]	34.8 x 13 x 21
Materials		housing: stainless steel (1.4404 / 316L); plastics: PPSU; Sealing: FKM
Lens material		PMMA
Lens alignment		side lens
Displays / operating elements		
Display	switching status	1 x LED, yellow
	operation	1 x LED, green
Remarks		
Remarks		operating voltage "supply class 2" according to cULus
Pack quantity		1 pcs.
Electrical connection		
Cable: 0.3 m, PUR; 3 x 0.25 mm ²		
Connector: 1 x M12		

O6T404

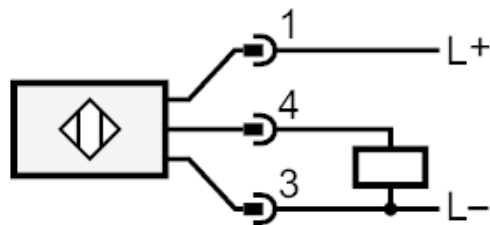


Diffuse reflection sensor

O6T-FPKG/0,30m/US

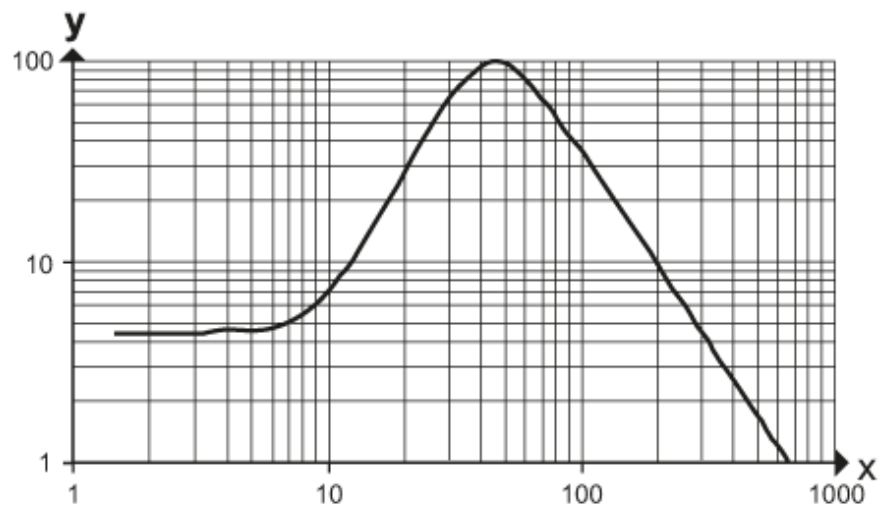


Connection



Diagrams and graphs

excess gain graph



x: distance [mm]

y: excess gain factor