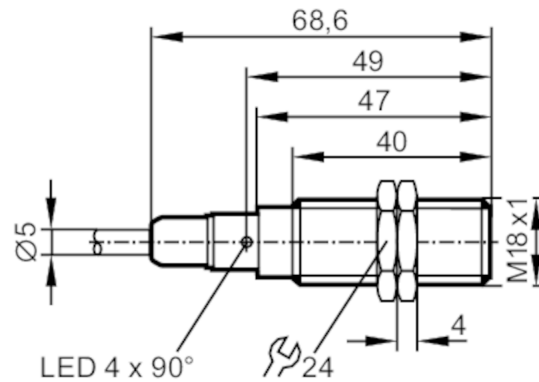


OGS301



Through-beam sensor transmitter

OGS-00KG/6M



Product characteristics

Type of light	red light
Housing	threaded type
Dimensions [mm]	M18 x 1 / L = 68.6

Application

Function principle	Through-beam sensor
--------------------	---------------------

Electrical data

Operating voltage [V]	10...36 DC
Current consumption [mA]	15
Protection class	II
Reverse polarity protection	yes
Type of light	red light

Detection zone

Transmitter / receiver	transmitter
Range [m]	< 20
Range adjustable	no
Max. light spot diameter [mm]	800
Light spot dimensions refer to	at maximum range

Operating conditions

Ambient temperature [°C]	-25...80
Protection	IP 65; IP 67; IP 68; IP 69K

Tests / approvals

EMC	EN 60947-5-2
MTTF [years]	755

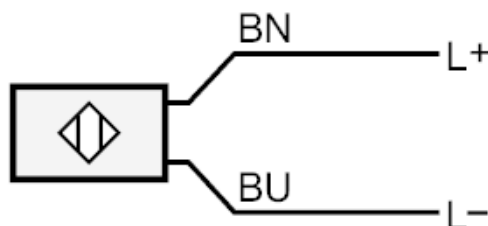
OGS301



Through-beam sensor transmitter

OGS-00KG/6M

Mechanical data		
Weight	[g]	245.8
Housing		threaded type
Dimensions	[mm]	M18 x 1 / L = 68.6
Thread designation		M18 x 1
Materials		housing: stainless steel (1.4404 / 316L); Sealing: EPDM
Lens material		PMMA
Displays / operating elements		
Display	operation	1 x LED, green
Accessories		
Accessories (supplied)		lock nuts: 2 x
Remarks		
Remarks		operating voltage "supply class 2" according to cULus
Pack quantity		1 pcs.
Electrical connection		
Cable: 6 m, PVC; 3 x 0.34 mm ²		
Connection		



Core colours :
BN = brown
BU = blue



Through-beam sensor transmitter

OGS-00KG/6M

Diagrams and graphs

excess gain graph

