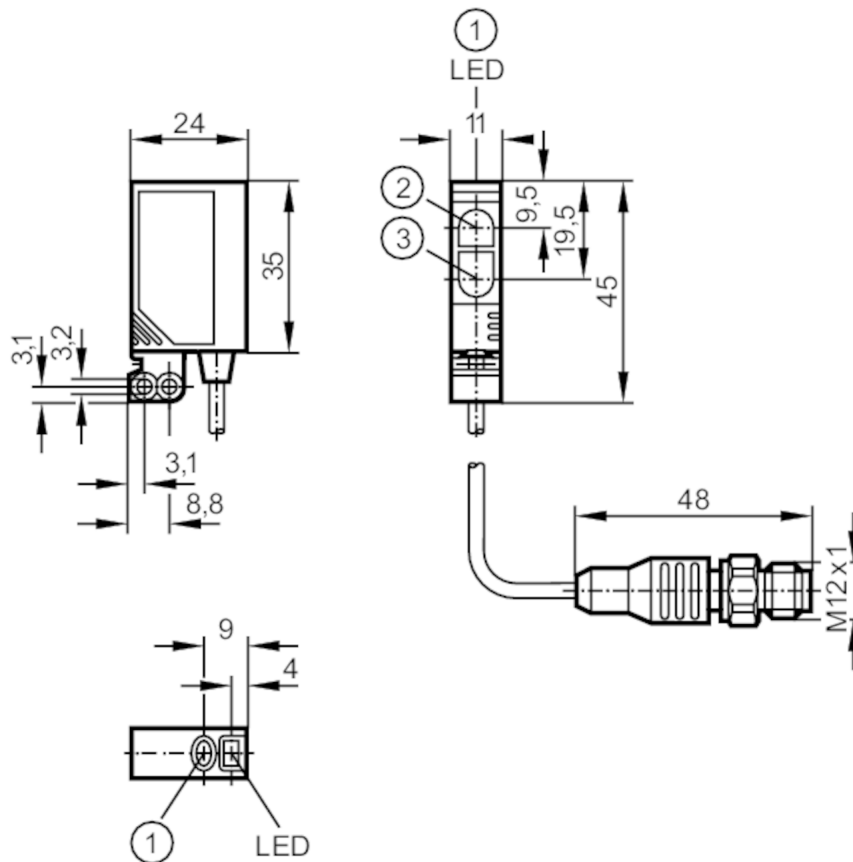




## Diffuse reflection sensor with background suppression

OJH-FPKG/SO/0,15M/US



- 1 pushbutton
- 2 receiver
- 3 transmitter



Product characteristics	
Type of light	red light
Housing	rectangular
Dimensions [mm]	35 x 11 x 24
Application	
Special feature	Gold-plated contacts; Background suppression
Function principle	Diffuse reflection sensor
Electrical data	
Operating voltage [V]	10...30 DC
Current consumption [mA]	25
Protection class	III
Reverse polarity protection	yes
Type of light	red light
Wave length [nm]	660



## Diffuse reflection sensor with background suppression

OJH-FPKG/SO/0,15M/US

Outputs		
Electrical design		PNP
Output function		light-on/dark-on mode; (programmable)
Max. voltage drop switching output DC	[V]	2.5
Permanent current rating of switching output DC	[mA]	200
Switching frequency DC	[Hz]	1000
Short-circuit protection		yes
Type of short-circuit protection		pulsed
Overload protection		yes
Detection zone		
Range	[mm]	15...400; (white paper 200 x 200 mm 90% remission)
Range adjustable		yes
Max. light spot diameter	[mm]	18
Light spot dimensions refer to		Range
Background suppression available		yes
Operating conditions		
Ambient temperature	[°C]	-25...60
Protection		IP 67
Tests / approvals		
EMC		EN 60947-5-2
MTTF	[years]	556
Mechanical data		
Weight	[g]	48.8
Housing		rectangular
Dimensions	[mm]	35 x 11 x 24
Materials		housing: ABS; fixture: diecast zinc; LED window: SEPS; pushbutton: SEPS; connector body: Hytrel 8068; connector thread: stainless steel (1.4404 / 316L)
Lens material		PMMA
Lens alignment		side lens
Material nut		stainless steel (1.4404 / 316L)
Displays / operating elements		
Display	switching status	1 x LED, yellow
	operation	1 x LED, green
Electronic lock		yes
Accessories		
Accessories (supplied)		Basic clip: 1 x, E20964
		screws: 2 x x M3 x 16
		spring washers: 2 x
		Nuts: 2 x
Remarks		
Remarks		operating voltage "supply class 2" according to cULus
Pack quantity		1 pcs.

## Diffuse reflection sensor with background suppression

OJH-FPKG/SO/0,15M/US

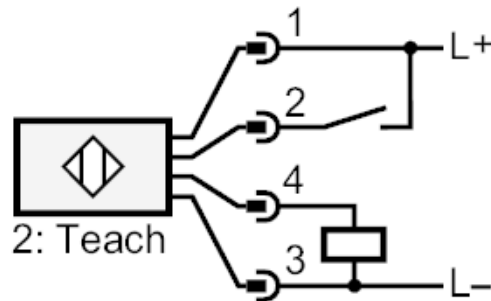
### Electrical connection

Cable: 0.15 m, PVC

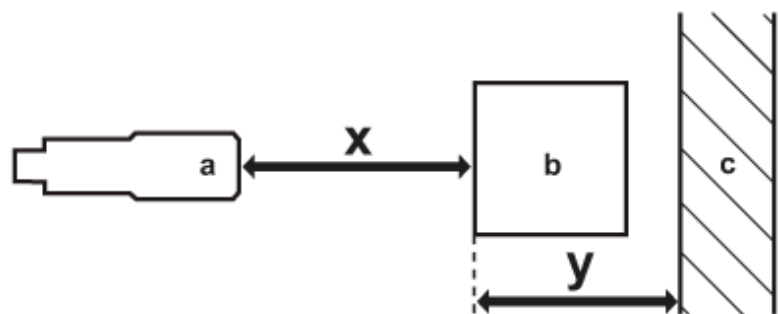
Connector: 1 x M12; Locking: stainless steel (1.4404 / 316L); Contacts: gold-plated



### Connection



### Diagrams and graphs



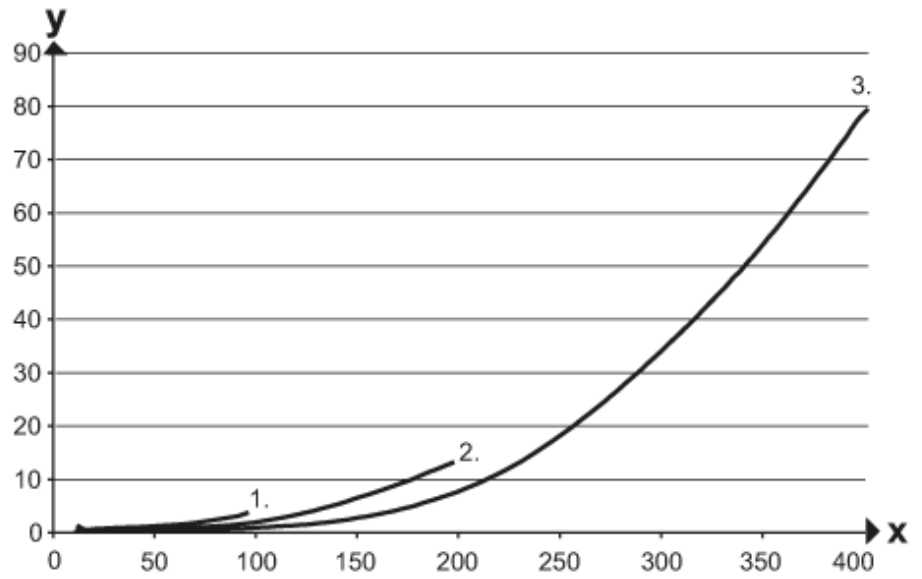
- a: sensor
- b: object
- c: background
- x: distance sensor/object [mm]
- y: min. distance object/background [mm]



## Diffuse reflection sensor with background suppression

OJH-FPKG/SO/0,15M/US

accuracy graph



x: distance sensor/object [mm]

y: min. distance object/background [mm]

1 = object black (6 % remission) , background (white 90 % remission)

2 = object grey (18 % remission) , background (white 90 % remission)

3 = object white (90 % remission) , background (white 90 % remission)