

## EUROCARD HOLDER

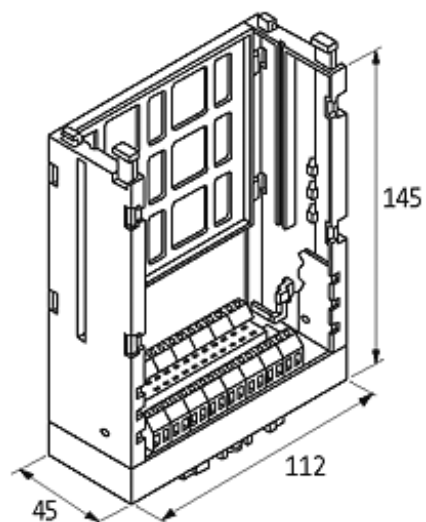
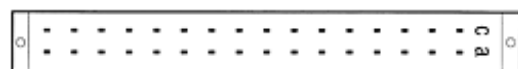
SKT 32 D

Screw terminals  
32-pole D (EN 60603)  
Row a, c

The D2 size is for a card without a front plate.

### [Link to Product](#)

#### Illustration



Product may differ from Image

### Technical Data

Operating voltage	250 V AC
Operating current	max. 4 A
Configuration	32-pole D (EN 60603)
Material group	(EN 60664-1) over voltage, category I
Material	Plastic, flame retardant

### General data

Connection	4 mm <sup>2</sup> single core
Mounting method	DIN-rail mountable (EN 60715) in vertical or horizontal position or screw fixing
Dimensions H × W × D	112×45×145 mm

### Description

Functional description	To insert the card first press down the 2 yellow buttons. Then slide the Eurocard into the guide slots pushing until fully engaged. The card is now locked into position. It can be removed by pressing down on the 2 yellow buttons.
------------------------	---

### Commercial data

country of origin	CZ
customs tariff number	85369010
minimum order quantity	1