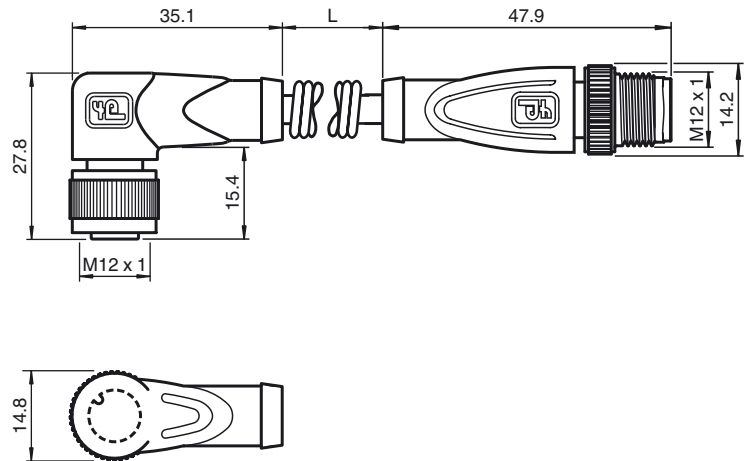




Dimensions



Model Number

V1-W-0,5/2,5M-PUR-V1-G

Connection cable, Helix cable

Features

- Flexible spiral cable
- Knurled nut suitable for tool assembly
- Immunity to vibration, with mechanical latching
- Gold-plated and machined contacts
- Halogen-free
- Protection degree IP67 / IP68 / IP69K

Technical data

General specifications

Number of pins	4
Connection 1	socket
Construction type 1	right angle
Threading 1	M12
Connection 2	Male connector
Construction type 2	straight
Threading 2	M12

Electrical specifications

Operating voltage	U_B	max. 250 V AC/DC
Operating current		max. 4 A
Contact resistance		< 10 mΩ

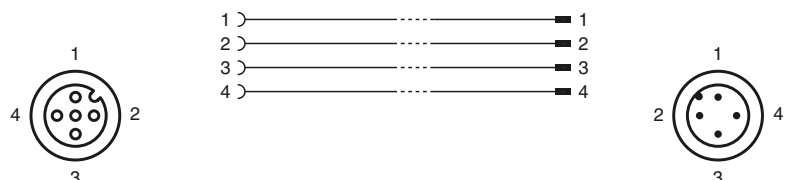
Ambient conditions

Ambient temperature	-40 ... 90 °C (-40 ... 194 °F) Cable: -40 ... 80 °C (-40 ... 176 °F)
Pollution Degree	3

Mechanical specifications

Contact elements	spring-loaded contact socket
Pin diameter	1 mm
Protection degree	IP67 / IP68 / IP69K
Material	
Contacts	CuSn / Au
Contact surface	Au
Body	TPU, green
Cable	PUR
Slotted nut	Diecast zinc
Sleeve connector	Diecast zinc
Core insulation	PP
Cable	
Sheath diameter	Ø 4.8 mm
Color	grey
Cores	4 x 0.34 mm ²
Conductor construction	19 x 0.15 mm Ø
Length	L 0.5 ... 2.5 m
Flammability	
Contact material	94 HB
Housing	94 V-2
Compliance with standards and directives	
Standard conformity	
Protection degree	EN 60529:2000
Standards	IEC 61076-2-101:2008

Electrical connection



Release date: 2013-08-13 18:38 Date of issue: 2013-08-13 213796_eng.xml