



Model Number

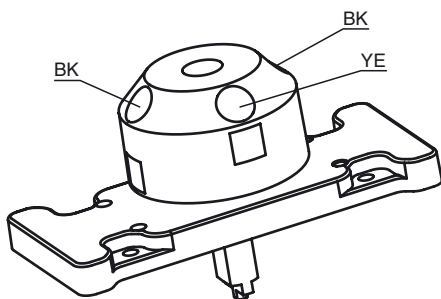
MH-BT65A

Mounting base

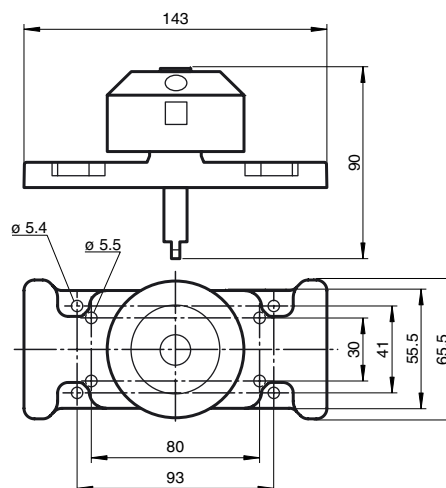
Features

- Mounting plate with shaft and actuator BT65
- Hole pattern 30 x 80 mm

Additional Information



Dimensions



Technical data

Ambient conditions

Ambient temperature -25 ... 70 °C (-13 ... 158 °F)

Mechanical specifications

Housing material

Material PA 12

Mounting screw pan head screws Mounting base
DIN 912 With Allen screw

General information

Scope of delivery

Mounting base
Mounting plate fixing screw
4 x socket cap screw DIN 912, M5x12, stainless steel with hexagon socket
4 x serrated lock washer DIN 6797, shape J
Fixing screw for sensor F31
2 x socket head cap screw DIN 912, M5X16, stainless steel with hexagon socket
Fixing screw for sensor F31K
2 x socket head cap screw DIN 912, M5X20, stainless steel with hexagon socket