



UNDERVOLTAGE RELEASE, AC 230V/50HZ, AC 240V/60HZ, WITH LEADING AUX. CONTACTS 2NO, WITH SPRING-L. CONNECTION, FOR CIRCUIT-BREAKERS 3RV2

| General technical data: | | |
|-------------------------------------------------------------------------------------|----|---------------------------|
| product brand name | | SIRIUS |
| Product designation | | undervoltage release |
| Size of the circuit-breaker | | S00, S0, S2 |
| Design of the product | | with 2 auxiliary contacts |
| Suitability for use | | motor circuit breaker |
| Protection class IP on the front | | IP20 |
| Design of short-circuit protection | | fuse |
| Degree of pollution | | 3 |
| Insulation voltage Rated value | V | 690 |
| Insulation voltage with degree of pollution 3 Rated value | V | 690 |
| Ambient temperature | | |
| • during storage | °C | -50 ... +80 |
| • during operation | °C | -20 ... +60 |
| Equipment marking acc. to DIN 40719 extended according to IEC 204-2 acc. to IEC 750 | | F |
| Equipment marking acc. to DIN EN 61346-2 | | F |

| Auxiliary circuit: | | |
|--------------------------------------------------------------------|--|---|
| Number of NC contacts for auxiliary contacts instantaneous contact | | 0 |
| Number of NO contacts for auxiliary contacts instantaneous contact | | 0 |
| Number of NO contacts for auxiliary contacts leading contact | | 2 |

| | | |
|-----------------------------------------------------------------------|--|---|
| Number of CO contacts of the auxiliary contacts instantaneous contact | | 0 |
|-----------------------------------------------------------------------|--|---|

Control circuit/ Control:

| | | |
|-----------------------------------------------------------------------------------------------------------------------------------------------------------------------------------------------------------------------------------------------------------------------------------------------------------------------------------------------------------------------------------------------------------------------------------------------------------------------------------------------------------------------------------------------------------------------------------------------------------------------------------------------------------------------------------------------------------------------------------------------------------|------------------------------------------------------------------------------------------|------------------------------------------------------------------------------------------|
| Type of voltage of the control supply voltage | | AC |
| Control supply voltage frequency | | |
| <ul style="list-style-type: none"> • 1 <ul style="list-style-type: none"> — Rated value — Initial rated value — Final rated value • 2 Rated value | | |
| Control supply voltage | | |
| <ul style="list-style-type: none"> • 1 <ul style="list-style-type: none"> — for DC <ul style="list-style-type: none"> — Rated value — Initial rated value — Final rated value — with AC <ul style="list-style-type: none"> — at 50 Hz Rated value — at 50 Hz Initial rated value — at 50 Hz Final rated value — at 60 Hz Rated value — at 60 Hz Final rated value — at 60 Hz Initial rated value • 2 <ul style="list-style-type: none"> — for DC Rated value — with AC <ul style="list-style-type: none"> — at 50 Hz Rated value — at 60 Hz Rated value | | |

Installation/ mounting/ dimensions:

| | | |
|--------------------------------------------------------------------------------------------------------------------------------------------------|----|----------------------|
| Mounting type | | snap-on mounting |
| Width | mm | 18.5 |
| Height | mm | 90 |
| Depth | mm | 68 |
| Required spacing with side-by-side mounting | | |
| <ul style="list-style-type: none"> • forwards • Backwards • upwards • downwards • at the side | | |
| Required spacing for grounded parts | | |
| <ul style="list-style-type: none"> • forwards | | <kein Wert> |

- Backwards
- upwards
- at the side
- downwards

<kein Wert>
<kein Wert>
<kein Wert>
<kein Wert>

Required spacing for live parts





- forwards
- Backwards
- upwards
- downwards
- at the side

<kein Wert>
<kein Wert>
<kein Wert>
<kein Wert>
<kein Wert>

Certificates/ approvals:

Certificate of suitability

CE / UL / CSA

| General Product Approval | Declaration of Conformity | Test Certificates | | Shipping Approval |
|------------------------------------------------------------------------------------------|-----------------------------------------------------------------------------------------|-----------------------------------------------------------------------------------------------|------------------------------------------|--------------------------------------------------------------------------------------------|
|  CSA |  UL |  EG-Konf. | Special Test Certificate | Type Test Certificates/Test Report |
| | | | |  ABS |

Shipping Approval



Shipping Approval

other



[Confirmation](#)

[Environmental Confirmations](#)



VDE

[other](#)

Further information

Information- and Downloadcenter (Catalogs, Brochures,...)

<http://www.siemens.com/industrial-controls/catalogs>

Industry Mall (Online ordering system)

<http://www.siemens.com/industrymall>

Cax online generator

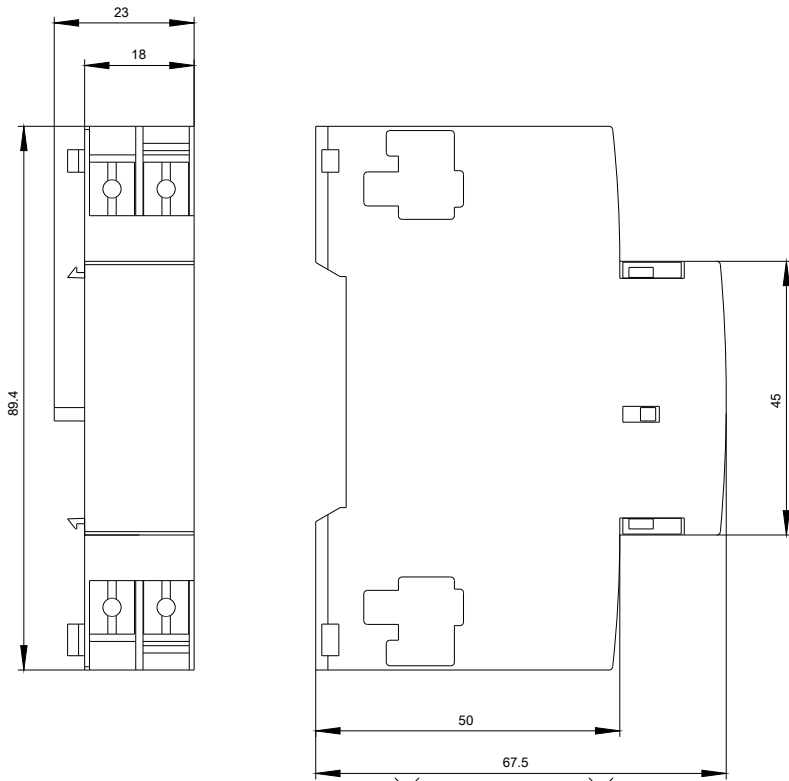
<http://support.automation.siemens.com/WW/CAXorder/default.aspx?lang=en&mfb=3RV29222CP0>

Service&Support (Manuals, Certificates, Characteristics, FAQs,...)

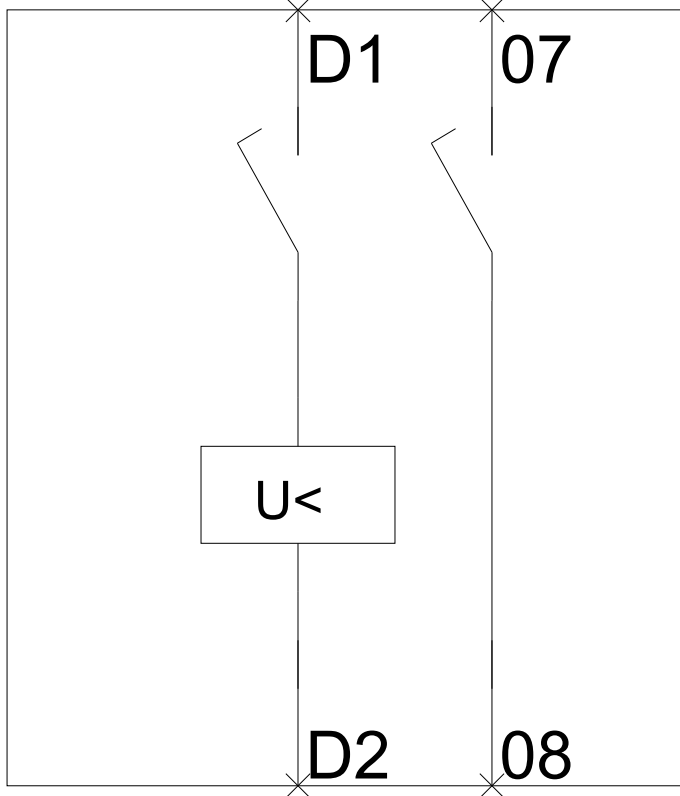
<http://support.automation.siemens.com/WW/view/en/3RV29222CP0/all>

Image database (product images, 2D dimension drawings, 3D models, device circuit diagrams, EPLAN macros, ...)

<http://www.automation.siemens.com/bilddb/index.aspx?attID9=3RV29222CP0&lang=en>



-F



last modified:

09.03.2015