



Datenblatt - Fiche technique - Data sheet

12.01.1087



ROLINE Modular-Plug ungeschirmt, Kat.5e, 10 Stck

ROLINE Connecteur modulaire non-blindé catégorie 5e

ROLINE Cat.5e Modular Plug, 8p8c, unshielded, for Stranded Wire, 10 pcs.

1

2

3

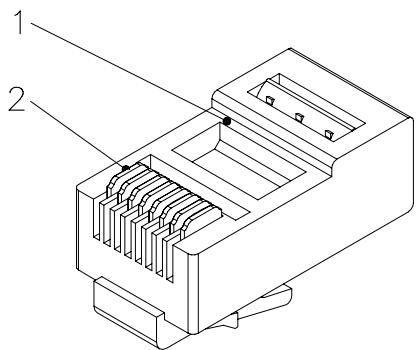
4

5

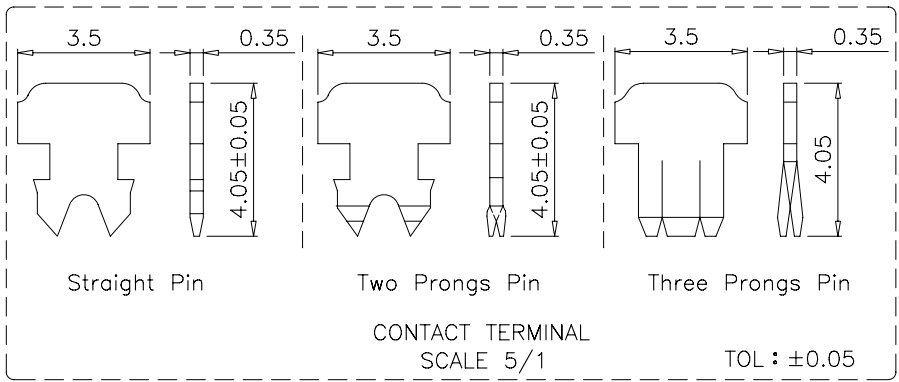
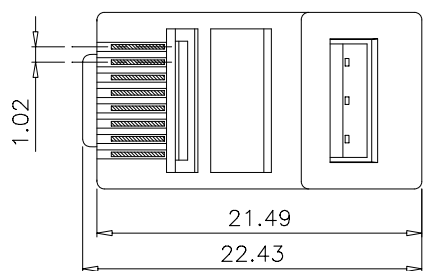
6

A

A

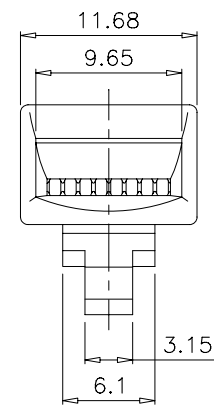
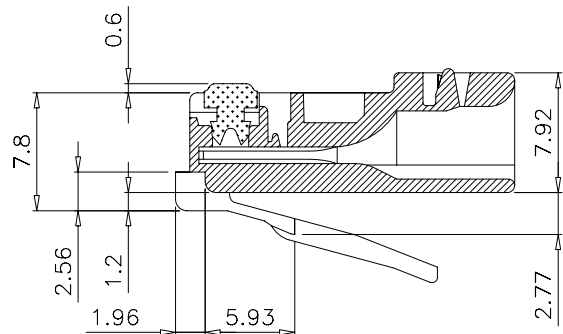
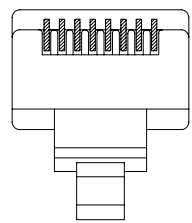


SCALE 2/1



B

B



C

C

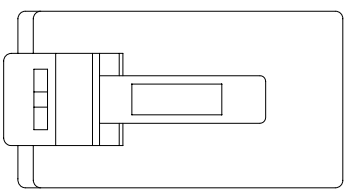
Specification :

Material :

- 1. Housing : Polycarbonate, UL 94V-2, Transparence color.
- 2. Contact Terminal : Phosphor Bronze.
Finished : Min. 50 micro-inch Gold plated.

Performance :

- a. Operation Temperature : -40°C to 80°C.
- b. Cable to Plug Tensile Strength : 7.7 kgs.
- c. Use for 24-26 AWG stranded wires.



Remark : PR8850XX/XXX
(1) (2)

- (1) XX : Contacts Type
Blank=Straight Pin, 2X=Two Prongs Pin, 3X=Three Prongs Pin.
- (2) XXX : Wire OD
Blank=ø1.0, 0.6=ø0.6, 0.8=ø0.8.

D

D

GENERAL TOLERANCE OF DIMENSIONS x.xxx ±0.005 x.xx ±0.05 x.x ±0.1	DRAWING	06.OCT.2010	Connie	rotronic
	CHECK	06.OCT.2010	KLi	
	APPROVAL	06.OCT.2010	Yty	
		DATE	NAME	ITEM NO.: 12.01.1087(PR88502X/1.0)
SCALE	2/1 (A4)	UNIT	mm	DES.: Unshielded 8P8C
		DRAWING NO.	12.01.1087(PR88502X/1.0)	
		DRAWING CLASSIFICATION	E	SHEET 1 OF 1

1

2

0

3

4

10cm

5

6

