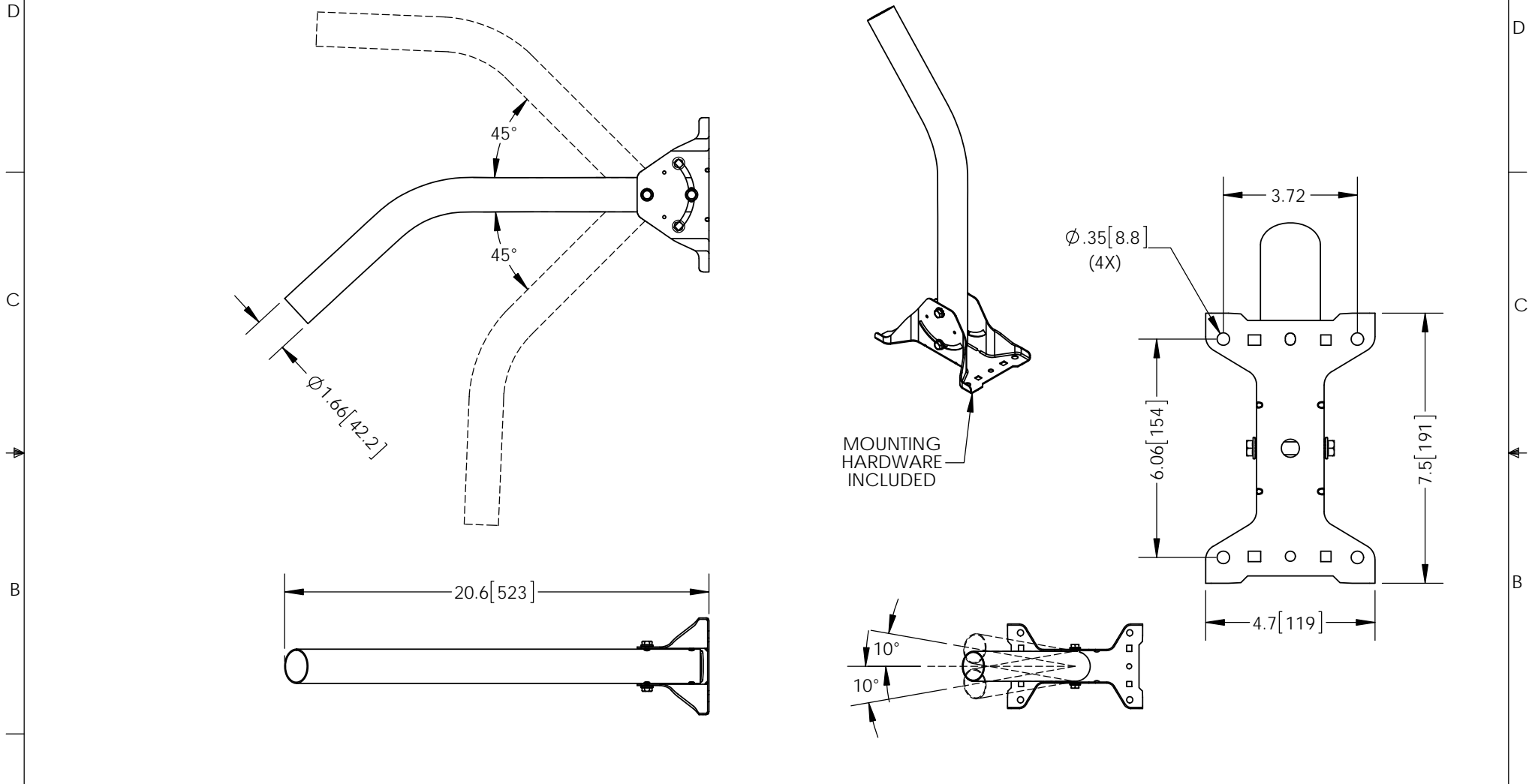


THE INFORMATION CONTAINED IN THIS DRAWING IS THE SOLE PROPERTY OF L-COM, INC. ANY REPRODUCTION IN PART OR WHOLE WITHOUT THE WRITTEN PERMISSION OF L-COM, INC. IS PROHIBITED.

REVISIONS			
REV	DESCRIPTION	DATE	APPROVED
A	INITIAL RELEASE	1/23/12	B.PUCHASKI
B	ECN 7105 UPDATE DRAWING	10/22/13	B.PUCHASKI



NOTES:
 PACKAGING:
 COMPONENT SHALL BE PACKAGED IN ACCORDANCE WITH L-COM SPEC PKG-00020
 -ALL DIMENSIONS FOR REFERENCE-
 REGULATORY COMPLIANCE:
 CE2011/65/EU(RoHS DIRECTIVE)

UNLESS OTHERWISE SPECIFIED, DIMENSIONS ARE IN INCHES [mm] DIMENSIONAL TOLERANCES: .X = ±.1 .XX = ±.01 .XXX = ±.005 ANGULAR TOLERANCES: ALL = ± 1°	APPROVALS	DATE		45 BEECHWOOD DRIVE NORTH ANDOVER, MA 01845
	DRAWN BY B.PUCHASKI	01/19/12		
PROJECTION 	CHECKED BY P.PESA	1/19/12	CATEGORY ANTENNA	
	APPROVED BY P.PESA	01/19/12	PRODUCT DESCRIPTION UNIVERSAL TUBE MOUNT	
COLOR VARIATIONS MAY OCCUR	SIZE A	FSCM NO. 43321	DWG. NO. HGX-UMOUNT	REV. B
SCALE: NONE		CAD FILE: HGX-UMOUNT.SLDDRW		SHEET 1 OF 1