

R2E280-AE52-05

# AC centrifugal fan

backward curved, single inlet



**ebm-papst Mulfingen GmbH & Co. KG**

Bachmühle 2

74673 Mulfingen

Phone: +49 7938 81-0

Fax: +49 7938 81-110

[www.ebmpapst.com](http://www.ebmpapst.com)

[info1@de.ebmpapst.com](mailto:info1@de.ebmpapst.com)

## Nominal data

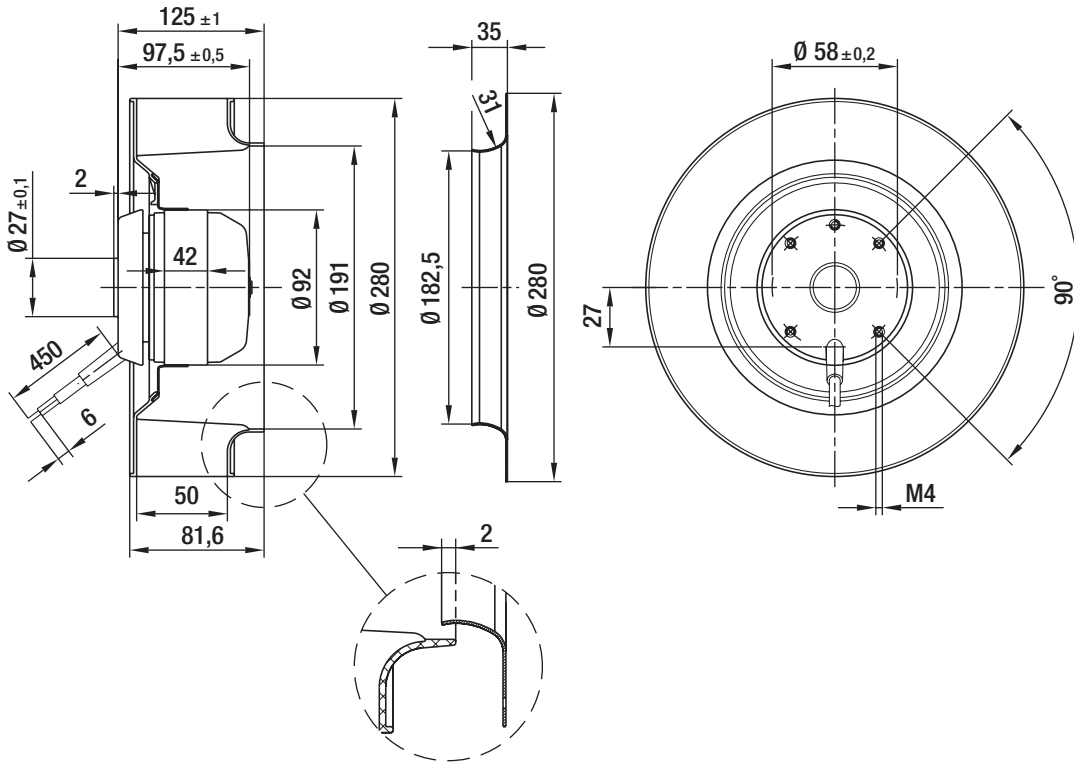
Type	R2E280-AE52-05	
Motor	M2E068-EC	
Phase		1~
Nominal voltage	[V]	230
Frequency	[Hz]	50
Type of data definition		rfa
Valid for approval / standard		CE
Speed	[min <sup>-1</sup> ]	2700
Power input	[W]	225
Current draw	[A]	1.0
Motor capacitor	[µF]	7
Capacitor voltage	[VDB]	400
Capacitor standard		P0 (CE)
Min. back pressure	[Pa]	0
Max. ambient temperature	[°C]	40

ml = max. load · me = max. efficiency · rfa = running at free air · cs = customer specs · cu = customer unit  
Subject to alterations

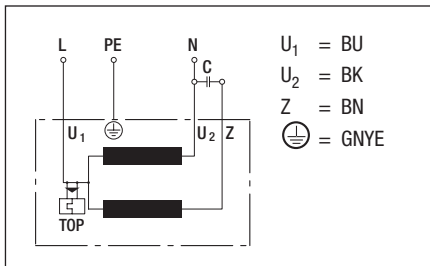
## Technical features

Leakage current	< 0,75 mA
Size	280 mm
Operation mode	Continuous operation (S1)
Direction of rotation	Clockwise, seen on rotor
Humidity class	F1-2
Insulation class	"F"
Cable exit	Variable
Bearing motor	Ball bearing
Mass	3.0 kg
Material of electronics housing	Rotor: Coated in black
Material of impeller	Sheet steel, coated in black
Motor protection	Thermal overload protector (TOP) wired internally
Product conforming to standard	CE
Number of blades	11
Type of protection	IP 44
Protection class	I
Approval	CCC; GOST

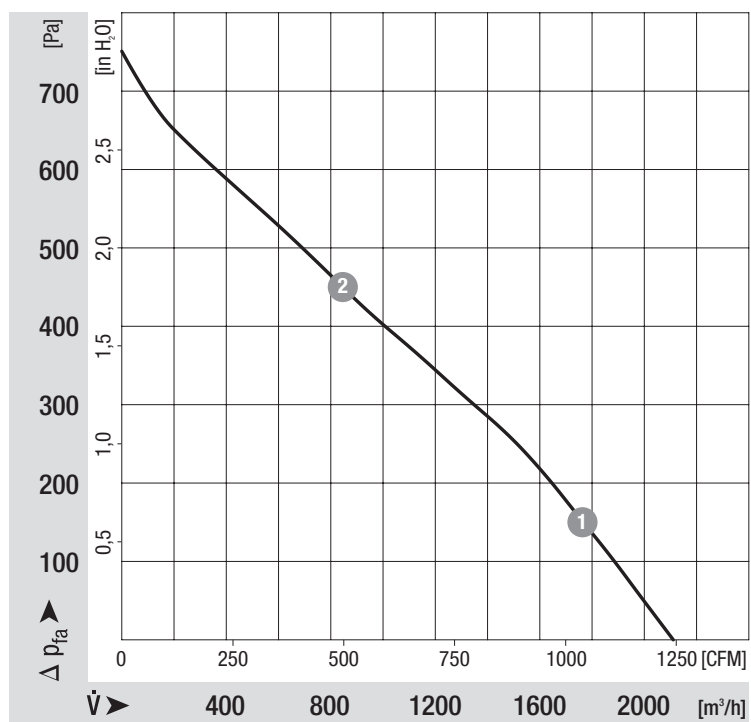
## Product drawing



## Connection screen



## Charts: Air flow 50 Hz



## Measured values

	n	P <sub>1</sub>	I
	[min <sup>-1</sup> ]	[W]	[A]
1	2560	265	1.18
2	2390	312	1.38