



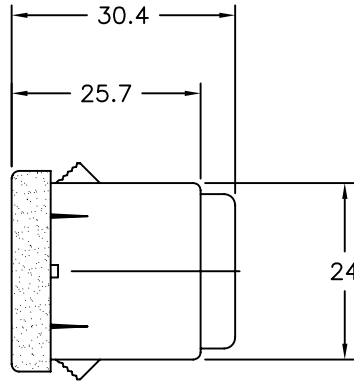
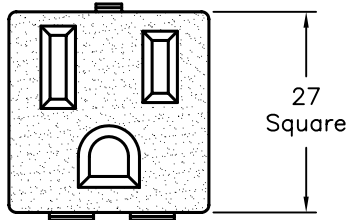
ALL RIGHTS RESERVED. NO PORTION OF THIS PUBLICATION, WHETHER IN WHOLE OR IN PART CAN BE REPRODUCED WITHOUT THE EXPRESS WRITTEN CONSENT OF SPC TECHNOLOGY.

SPC-F005.DWG

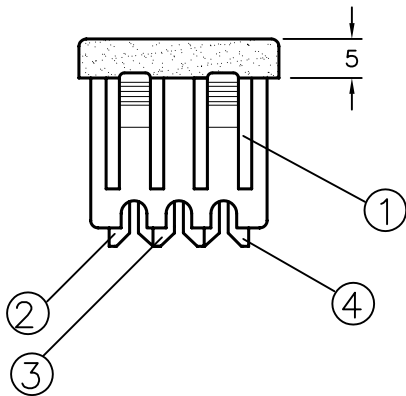
REVISIONS

DOC. NO. SPC-F005 \* Effective: 7/8/02 \* DCP No: 1398

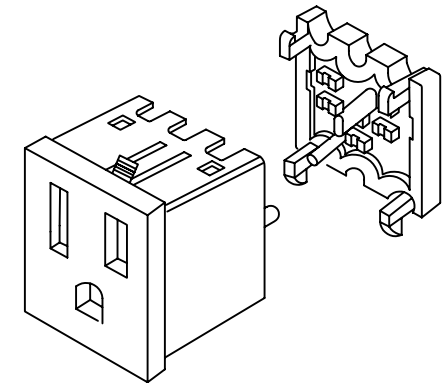
DCP #	REV	DESCRIPTION	DRAWN	DATE	CHECKD	DATE	APPRVD	DATE
162	A	Released	JWM	1/29/98	JC	2/4/98	BB	2/5/98
1780	B	RoHS Added	DCM	10/16/06	JWM	10/17/06	JWM	10/17/06



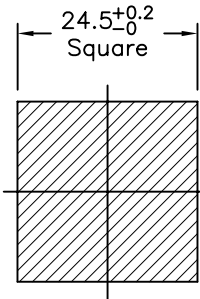
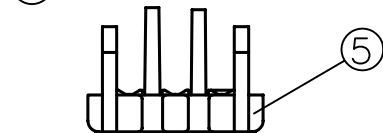
ASSEMBLY



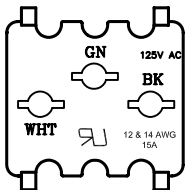
Rated: 15A @ 125V AC



NOTE: PRODUCT SHIPPED UNASSEMBLED



RECOMMENDED PANEL CUTOUT  
 Panel Thickness: 0.8 ~ 1.8mm  
 RECOMMENDED TO USE 12 & 14 AWG



5	Cover back of the Body, Nylon, Black Color.	1
4	Contact PIN Bronze Strip t=0.7mm Cu	1
3	Contact PIN Bronze Strip t=0.7mm Cu	1
2	Contact PIN Bronze Strip t=0.7mm Ni-Plated	1
1	Body Insulator NYLON Black Color	1

DISCLAIMER:  
 ALL STATEMENTS AND TECHNICAL INFORMATION CONTAINED HEREIN ARE BASED UPON INFORMATION AND/OR TESTS WE BELIEVE TO BE ACCURATE AND RELIABLE. SINCE CONDITIONS OF USE ARE BEYOND OUR CONTROL, THE USER SHALL DETERMINE THE SUITABILITY OF THE PRODUCT FOR THE INTENDED USE AND ASSUME ALL RISK AND LIABILITY WHATSOEVER IN CONNECTION THEREWITH.

TOLERANCES:  
  
 UNLESS OTHERWISE SPECIFIED: ±0.50

DRAWN BY:	DATE:
Jeff McVicker	1/29/98
CHECKED BY:	DATE:
John Cole	2/4/98
APPROVED BY:	DATE:
Brett Braatz	2/5/98

DRAWING TITLE: <b>NEMA 5-15R Power Outlet, IDC Terminals, Snap-In Mount</b>			
SIZE	DWG. NO.	ELECTRONIC FILE	REV
A	2143	92N4146.dwg	B
SCALE: NTS	U.O.M.: Millimeters	SHEET: 1 OF 1	