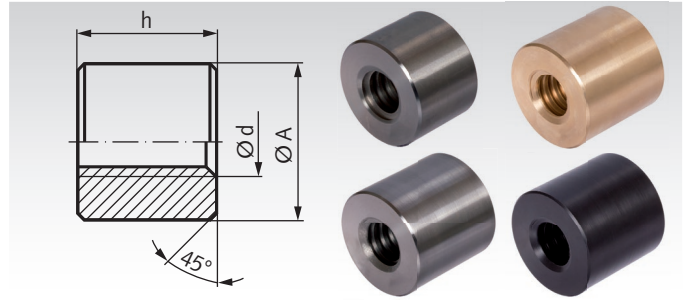


Round Nuts with Metric ISO-Trapezoidal Thread DIN 103, Single-Thread

Material: Steel C35Pb.
Stainless steel 1.4305 (AISI 303).
Red brass Rg7 (CuSn7Zn4Pb7-C).
Plastic (PA6.6 with MoS2).



Tolerance zone 7H.



Ordering Details: e.g.: Product No. 643 010 00, Round Nut, Steel, Tr. 10 x 3, Single Thread Right Hand

Single-Thread, Right Hand

Product No. Steel	Product No. Steel	Product No. Stainless Steel	Product No. Res Brass	Product No. Plastic	Trapezoidal Thread	DIN ISO 2768m	DIN 668	Weight Steel	Weight Steel	Weight Brass	Weight Plastic
h = 1,5 x d	h = 2 x d	h = 1,5 x d	h = 2 x d	h = 2 x d	Ø d mm	h=1,5xd mm	h=2xd mm	1,5 x d kg	2 x d kg	2 x d kg	2 x d kg
643 010 00	643 210 00	-	643 310 00	-	10 x 3**	15	20	0,04	0,06	0,06	-
643 012 00	643 212 00	643 990 12	643 312 00	643 412 00	12 x 3	18	24	0,06	0,08	0,1	0,02
643 014 00	643 214 00	-	643 314 00	-	14 x 4**	21	28	0,1	0,12	0,14	-
643 016 00	643 216 00	643 990 16	643 316 00	643 416 00	16 x 4	24	32	0,16	0,22	0,24	0,04
643 018 00	643 218 00	-	643 318 00	643 418 00	18 x 4	27	36	0,22	0,32	0,37	0,05
643 020 00	643 220 00	643 990 20	643 320 00	643 420 00	20 x 4	30	40	0,32	0,42	0,5	0,06
643 024 00	643 224 00	643 990 24	643 324 00	643 424 00	24 x 5	36	48	0,44	0,6	0,7	0,08
643 028 00	643 228 00	643 990 28	643 328 00	643 428 00	28 x 5	42	56	0,76	1,0	1,12	0,14
643 030 00	643 230 00	643 990 30	643 330 00	643 430 00	30 x 6	45	60	0,78	1,06	1,2	0,16
643 032 00	643 232 00	-	643 332 00	643 432 00	32 x 6	48	64	0,8	1,08	1,2	0,16
643 036 00	643 236 00	643 990 36	643 336 00	643 436 00	36 x 6	54	72	1,48	1,98	2,3	0,28
643 040 00	643 240 00	643 990 40	643 340 00	643 440 00	40 x 7	60	80	1,8	2,44	2,8	0,36
643 044 00	643 244 00	-	643 344 00	-	44 x 7	66	88	1,9	2,52	2,86	-
643 048 00	643 248 00	-	643 348 00	-	48 x 8	72	96	2,68	3,58	4,08	-
643 050 00	643 250 00	-	643 350 00	643 450 00	50 x 8	75	100	2,72	3,64	4,12	0,54
643 052 00	643 252 00	-	643 352 00	-	52 x 8	78	104	2,72	3,64	4,2	-
643 060 00	643 260 00	-	643 360 00	643 460 00	60 x 9	90	120	3,76	4,96	5,7	0,74
643 070 00	-	-	643 370 00*	-	70 x 10	105	120***	4,96	-	6,5	-

Single-Thread, Left Hand

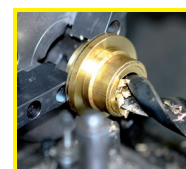
Product No. Steel	Product No. Steel	Product No. Stainless Steel	Product No. Res Brass	Product No. Plastic	Trapezoidal Thread	DIN ISO 2768m	DIN 668	Weight Steel	Weight Steel	Weight Brass	Weight Plastic
h = 1,5 x d	h = 2 x d	h = 1,5 x d	h = 2 x d	h = 2 x d	Ø d mm	h=1,5xd mm	h=2xd mm	1,5 x d kg	2 x d kg	2 x d kg	2 x d kg
643 510 00	643 710 00	-	643 810 00	-	10 x 3**	15	20	0,04	0,06	0,06	-
643 512 00	643 712 00	643 995 12	643 812 00	643 912 00	12 x 3	18	24	0,06	0,08	0,1	0,02
643 514 00	643 714 00	-	643 814 00	-	14 x 4**	21	28	0,1	0,12	0,14	-
643 516 00	643 716 00	643 995 16	643 816 00	643 916 00	16 x 4	24	32	0,16	0,22	0,24	0,04
643 518 00	643 718 00	-	643 818 00	643 918 00	18 x 4	27	36	0,24	0,32	0,37	0,05
643 520 00	643 720 00	643 995 20	643 820 00	643 920 00	20 x 4	30	40	0,32	0,42	0,5	0,06
643 524 00	643 724 00	643 995 24	643 824 00	643 924 00	24 x 5	36	48	0,44	0,6	0,7	0,08
643 528 00	643 728 00	-	643 828 00	643 928 00	28 x 5	42	56	0,76	1,0	1,12	0,14
643 530 00	643 730 00	643 995 30	643 830 00	643 930 00	30 x 6	45	60	0,78	1,06	1,2	0,16
643 532 00	643 732 00	-	643 832 00	643 932 00	32 x 6	48	64	0,8	1,08	1,2	0,16
643 536 00	643 736 00	-	643 836 00	643 936 00	36 x 6	54	72	1,48	1,98	2,3	0,28
643 540 00	643 740 00	643 995 40	643 840 00	643 940 00	40 x 7	60	80	1,8	2,44	2,8	0,36
643 544 00	643 744 00	-	643 844 00	-	44 x 7	66	88	1,9	2,52	2,86	-
643 548 00	643 748 00	-	643 848 00	-	48 x 8	72	96	2,68	3,58	4,08	-
643 550 00	643 750 00	-	643 850 00	643 950 00	50 x 8	75	100	2,72	3,64	4,12	0,54
643 552 00	643 752 00	-	643 852 00	-	52 x 8	78	104	2,72	3,64	4,2	-
643 560 00	643 760 00	-	643 860 00	643 960 00	60 x 9	90	120	3,76	4,96	5,7	0,74
643 570 00	-	-	643 870 00***	-	70 x 10	105	120***	4,96	-	6,5	-

Comparison of friction coefficients see page 514 bottom.

* Tolerance h11 does not apply to plastic nuts.

** Lead angle is not in accordance with DIN 103.

*** Special length 120 mm.



**Reworking within
24h-service possible.
Custom made parts
on request.**