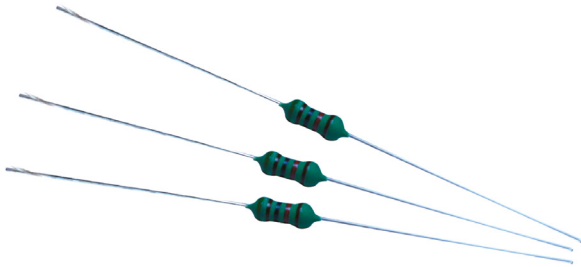


Metal Film Fixed Resistors

0.6W, 50 PPM



Scope:

This specification for approval relates to Metal Film Fixed Resistors.

Ratings:

Type	MF
Rated Power	0.6W at 70°C
Max. Working Voltage	250V
Max. Overload Voltage	500V
Dielectric Withstanding Voltage	500V
Rated Ambient Temp.	70°C
Operating Temp. Range	-55°C to +155°C
Resistance Tolerance	± 1%
Resistance Range	10Ω to 1MΩ

Table. 1

Power Rating:

Resistors shall have a power rating based on continuous full load operation at an ambient temperature of 70°C. For temperature in excess of 70°C , the load shall be derated as shown in the figure 1.

Voltage Rating:

Resistors shall have a rated direct-current (DC) continuous working voltage or an approximate sine-wave root-mean-square (RMS) alternating-current (AC) continuous working voltage at commercial- line frequency and waveform corresponding to the power rating , as determined from the following formula:

$$RCWV = \sqrt{P \times R}$$

Were : RCWV = Rated DC or RMS AC continuous working voltage at commercial-line frequency and waveform (volt)

P = Power Rating (watt)

R = Nominal Resistance (ohm)

In no case shall the rated DC or RMS AC continuous working voltage be greater than the applicable maximum value.

Metal Film Fixed Resistors

0.6W, 50 PPM

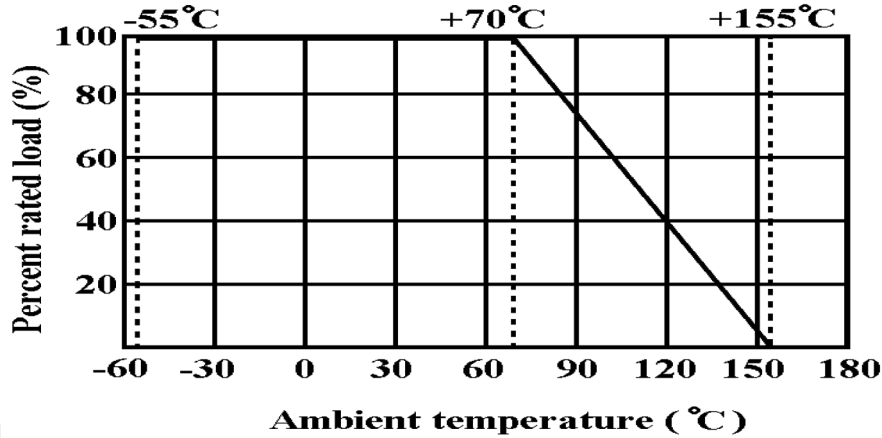
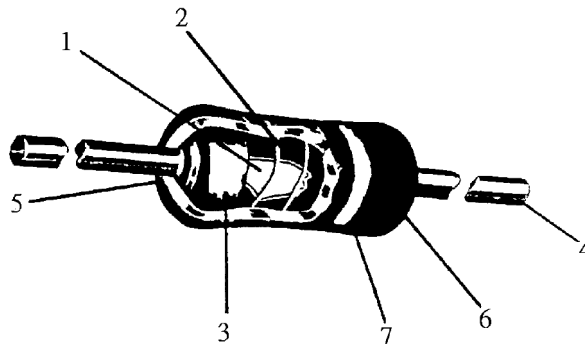


Figure. 1

Nominal Resistance:

Effective figures of nominal resistance shall be in accordance with E-96 series, and resistance tolerance shall be shown by table 1.

Construction:



No.	Name	Material
1	Basic Body	Rod Type Ceramics
2	Resistance Film	Metal Film
3	End Cap	Steel (Tin plated iron surface)
4	Lead Wire	Annealed copper wire coated with tin
5	Joint	By Welding
6	Coating	Insulated epoxy resin (Colour: Sky blue)
7	Colour Code	Epoxy Resin

Metal Film Fixed Resistors

0.6W, 50 PPM



Characteristics:

Characteristics	Limits	Test Methods (JIS C 5201-1)
DC. Resistance	Must be within the specified tolerance	The limit of error of measuring apparatus shall not exceed allowable range or 5% of resistance tolerance
Temperature coefficient	± 50 PPM/°C	Natural resistance change per temp. degree centigrade $\frac{R_2 - R_1}{R_1(t_2 - t_1)} \times 10^6 \text{ (PPM/°C)}$ R1: Resistance value at room temperature (t1) R2: Resistance value at room temp. plus 100°C (t2)
Short time overload	Resistance change rate is ± (0.5% + 0.05Ω) Max. with no evidence of mechanical damage	Permanent resistance change after the application of a potential of 2.5 times RCWV for 5 seconds
Dielectric withstanding voltage	No evidence of flashover mechanical damage, arcing or insulation break down	Resistors shall be clamped in the trough of a 90° metallic V-block and shall be tested at AC potential respectively specified in the table 1. for 60 + 10/ -0 seconds
Pulse overload	Resistance change rate is ± (1% + 0.05Ω) Max. with no evidence of mechanical damage	Resistance change after 10,000 cycles (1 sec. "on" , 25 secs. "off") at 4 times RCWV
Terminal strength	No evidence of mechanical damage	Direct load : Resistance to a 2.5 kgs direct load for 10 secs. in the direction of the longitudinal axis of the terminal leads Twist test : Terminal leads shall be bent through 90 ° at a point of about 6mm from the body of the resistor and shall be rotated through 360° about the original axis of the bent terminal in alternating direction for a total of 3 rotations
Resistance to soldering heat	Resistance change rate is ± (1% + 0.05Ω) Max. with no evidence of mechanical damage	Permanent resistance change when leads immersed to 3.2 to 4.8mm from the body in 350°C ±10°C solder for 3 ±0.5 seconds

Metal Film Fixed Resistors

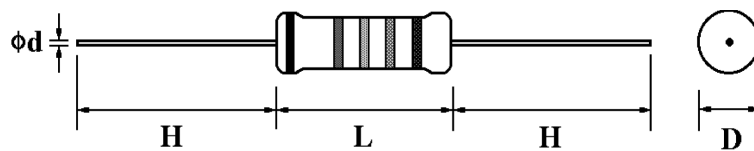
0.6W, 50 PPM



Characteristics:

Characteristics	Limits	Test Methods (JIS C 5201-1)															
Solderability	95 % coverage Min.	The area covered with a new, smooth, clean, shiny and continuous surface free from concentrated pinholes. Test temp. of solder : 245°C ±3°C Dwell time in solder : 2 to 3 seconds															
Resistance to solvent	No deterioration of protective coatings and markings	Specimens shall be immersed in bath of trichroethane completely for 3 mins. with ultrasonic															
Temperature cycling	Resistance change rate is ± (1% + 0.05Ω) Max. with no evidence of mechanical damage	Resistance change after continuous 5 cycles for duty shown below:															
		<table border="1"> <thead> <tr> <th>Step</th> <th>Temperature</th> <th>Time</th> </tr> </thead> <tbody> <tr> <td>1</td> <td>-55°C ±3°C</td> <td>30 mins</td> </tr> <tr> <td>2</td> <td>Room temp.</td> <td>10 to 15 mins</td> </tr> <tr> <td>3</td> <td>+155°C ±2°C</td> <td>30 mins</td> </tr> <tr> <td>4</td> <td>Room temp.</td> <td>10 to 15 mins</td> </tr> </tbody> </table>	Step	Temperature	Time	1	-55°C ±3°C	30 mins	2	Room temp.	10 to 15 mins	3	+155°C ±2°C	30 mins	4	Room temp.	10 to 15 mins
		Step	Temperature	Time													
		1	-55°C ±3°C	30 mins													
		2	Room temp.	10 to 15 mins													
3	+155°C ±2°C	30 mins															
4	Room temp.	10 to 15 mins															
Load life in humidity	<table border="1"> <thead> <tr> <th>Resistance value</th> <th>ΔR/R</th> </tr> </thead> <tbody> <tr> <td>Normal type</td> <td>±1.5%</td> </tr> </tbody> </table>	Resistance value	ΔR/R	Normal type	±1.5%	Resistance change after 1,000 hours (1.5 hours "on", 0.5 hour "off") at RCWV in a humidity test chamber controlled at 40°C ± 2°C and 90 to 95 % relative humidity											
	Resistance value	ΔR/R															
	Normal type	±1.5%															
Load life	<table border="1"> <thead> <tr> <th>Resistance value</th> <th>ΔR/R</th> </tr> </thead> <tbody> <tr> <td>Normal type</td> <td>±1.5%</td> </tr> </tbody> </table>	Resistance value	ΔR/R	Normal type	±1.5%	Permanent resistance change after 1,000 hours operating at RCWV with duty cycle of (1.5 hours "on", 0.5 hour "off") at 70°C ±2°C ambient											
	Resistance value	ΔR/R															
	Normal type	±1.5%															

Dimension:



Power Rating	D (Max.)	L (Max.)	d ±0.05	H ±3
0.6W-S	2.5mm	6.8mm	0.54mm	28mm

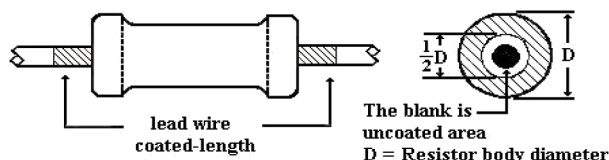
Metal Film Fixed Resistors

0.6W, 50 PPM



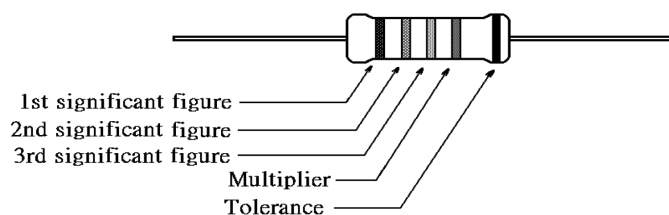
Painting Method:

Welding point, terminal and lead wire, is permissible to be exposed without the outer coated cover. The extent should be within 1/2 of the arc angle.



Marking :

Resistors shall be marked with color coding colors shall be in accordance with JIS C 0802



Part Number Table

Description	Part Number
Resistor, Metal Film, 6R8, 0.6W, 1%	MCMF006FJ680KA50
Resistor, Metal Film, 10R, 0.6W, 1%	MCMF006FF100JA50
Resistor, Metal Film, 11R, 0.6W, 1%	MCMF006FF110JA50
Resistor, Metal Film, 12R, 0.6W, 1%	MCMF006FF120JA50
Resistor, Metal Film, 13R, 0.6W, 1%	MCMF006FF130JA50
Resistor, Metal Film, 15R, 0.6W, 1%	MCMF006FF150JA50
Resistor, Metal Film, 16R, 0.6W, 1%	MCMF006FF160JA50
Resistor, Metal Film, 18R, 0.6W, 1%	MCMF006FF180JA50
Resistor, Metal Film, 20R, 0.6W, 1%	MCMF006FF200JA50
Resistor, Metal Film, 22R, 0.6W, 1%	MCMF006FF220JA50
Resistor, Metal Film, 24R, 0.6W, 1%	MCMF006FF240JA50
Resistor, Metal Film, 27R, 0.6W, 1%	MCMF006FF270JA50
Resistor, Metal Film, 30R, 0.6W, 1%	MCMF006FF300JA50

Metal Film Fixed Resistors

0.6W, 50 PPM



Part Number Table

Description	Part Number
Resistor, Metal Film, 33R, 0.6W, 1%	MCMF006FF330JA50
Resistor, Metal Film, 36R, 0.6W, 1%	MCMF006FF360JA50
Resistor, Metal Film, 39R, 0.6W, 1%	MCMF006FF390JA50
Resistor, Metal Film, 43R, 0.6W, 1%	MCMF006FF430JA50
Resistor, Metal Film, 47R, 0.6W, 1%	MCMF006FF470JA50
Resistor, Metal Film, 51R, 0.6W, 1%	MCMF006FF510JA50
Resistor, Metal Film, 56R, 0.6W, 1%	MCMF006FF560JA50
Resistor, Metal Film, 62R, 0.6W, 1%	MCMF006FF620JA50
Resistor, Metal Film, 68R, 0.6W, 1%	MCMF006FF680JA50
Resistor, Metal Film, 75R, 0.6W, 1%	MCMF006FF750JA50
Resistor, Metal Film, 82R, 0.6W, 1%	MCMF006FF820JA50
Resistor, Metal Film, 91R, 0.6W, 1%	MCMF006FF910JA50
Resistor, Metal Film, 100R, 0.6W, 1%	MCMF006FF1000A50
Resistor, Metal Film, 110R, 0.6W, 1%	MCMF006FF1100A50
Resistor, Metal Film, 120R, 0.6W, 1%	MCMF006FF1200A50
Resistor, Metal Film, 130R, 0.6W, 1%	MCMF006FF1300A50
Resistor, Metal Film, 150R, 0.6W, 1%	MCMF006FF1500A50
Resistor, Metal Film, 160R, 0.6W, 1%	MCMF006FF1600A50
Resistor, Metal Film, 180R, 0.6W, 1%	MCMF006FF1800A50
Resistor, Metal Film, 200R, 0.6W, 1%	MCMF006FF2000A50
Resistor, Metal Film, 220R, 0.6W, 1%	MCMF006FF2200A50
Resistor, Metal Film, 240R, 0.6W, 1%	MCMF006FF2400A50
Resistor, Metal Film, 270R, 0.6W, 1%	MCMF006FF2700A50
Resistor, Metal Film, 300R, 0.6W, 1%	MCMF006FF3000A50
Resistor, Metal Film, 330R, 0.6W, 1%	MCMF006FF3300A50
Resistor, Metal Film, 360R, 0.6W, 1%	MCMF006FF3600A50
Resistor, Metal Film, 390R, 0.6W, 1%	MCMF006FF3900A50
Resistor, Metal Film, 430R, 0.6W, 1%	MCMF006FF4300A50
Resistor, Metal Film, 470R, 0.6W, 1%	MCMF006FF4700A50
Resistor, Metal Film, 510R, 0.6W, 1%	MCMF006FF5100A50
Resistor, Metal Film, 560R, 0.6W, 1%	MCMF006FF5600A50
Resistor, Metal Film, 621R, 0.6W, 1%	MCMF006FF6200A50
Resistor, Metal Film, 680R, 0.6W, 1%	MCMF006FF6800A50
Resistor, Metal Film, 750R, 0.6W, 1%	MCMF006FF7500A50
Resistor, Metal Film, 820R, 0.6W, 1%	MCMF006FF8200A50
Resistor, Metal Film, 910R, 0.6W, 1%	MCMF006FF9100A50
Resistor, Metal Film, 1k, 0.6W, 1%	MCMF006FF1001A50
Resistor, Metal Film, 1k1, 0.6W, 1%	MCMF006FF1101A50

Metal Film Fixed Resistors

0.6W, 50 PPM



Part Number Table

Description	Part Number
Resistor, Metal Film, 1k2, 0.6W, 1%	MCMF006FF1201A50
Resistor, Metal Film, 1k3, 0.6W, 1%	MCMF006FF1301A50
Resistor, Metal Film, 1k5, 0.6W, 1%	MCMF006FF1501A50
Resistor, Metal Film, 1k6, 0.6W, 1%	MCMF006FF1601A50
Resistor, Metal Film, 1k8, 0.6W, 1%	MCMF006FF1801A50
Resistor, Metal Film, 2k, 0.6W, 1%	MCMF006FF2001A50
Resistor, Metal Film, 2k2, 0.6W, 1%	MCMF006FF2201A50
Resistor, Metal Film, 2k4, 0.6W, 1%	MCMF006FF2401A50
Resistor, Metal Film, 2k7, 0.6W, 1%	MCMF006FF2701A50
Resistor, Metal Film, 3k, 0.6W, 1%	MCMF006FF3001A50
Resistor, Metal Film, 3k3, 0.6W, 1%	MCMF006FF3301A50
Resistor, Metal Film, 3k6, 0.6W, 1%	MCMF006FF3601A50
Resistor, Metal Film, 3k9, 0.6W, 1%	MCMF006FF3901A50
Resistor, Metal Film, 4k3, 0.6W, 1%	MCMF006FF4301A50
Resistor, Metal Film, 4k7, 0.6W, 1%	MCMF006FF4701A50
Resistor, Metal Film, 5k1, 0.6W, 1%	MCMF006FF5101A50
Resistor, Metal Film, 5k6, 0.6W, 1%	MCMF006FF5601A50
Resistor, Metal Film, 6k2, 0.6W, 1%	MCMF006FF6201A50
Resistor, Metal Film, 6k8, 0.6W, 1%	MCMF006FF6801A50
Resistor, Metal Film, 7k5, 0.6W, 1%	MCMF006FF7501A50
Resistor, Metal Film, 8k2, 0.6W, 1%	MCMF006FF8201A50
Resistor, Metal Film, 9k1, 0.6W, 1%	MCMF006FF9101A50
Resistor, Metal Film, 10k, 0.6W, 1%	MCMF006FF1002A50
Resistor, Metal Film, 11k, 0.6W, 1%	MCMF006FF1102A50
Resistor, Metal Film, 12k, 0.6W, 1%	MCMF006FF1202A50
Resistor, Metal Film, 13k, 0.6W, 1%	MCMF006FF1302A50
Resistor, Metal Film, 15k, 0.6W, 1%	MCMF006FF1502A50
Resistor, Metal Film, 16K, 0.6W, 1%	MCMF006FF1602A50
Resistor, Metal Film, 18k, 0.6W, 1%	MCMF006FF1802A50
Resistor, Metal Film, 20k, 0.6W, 1%	MCMF006FF2002A50
Resistor, Metal Film, 22k, 0.6W, 1%	MCMF006FF2202A50
Resistor, Metal Film, 24k, 0.6W, 1%	MCMF006FF2402A50
Resistor, Metal Film, 27k, 0.6W, 1%	MCMF006FF2702A50
Resistor, Metal Film, 30k, 0.6W, 1%	MCMF006FF3002A50
Resistor, Metal Film, 33k, 0.6W, 1%	MCMF006FF3302A50
Resistor, Metal Film, 36k, 0.6W, 1%	MCMF006FF3602A50
Resistor, Metal Film, 39k, 0.6W, 1%	MCMF006FF3902A50

Metal Film Fixed Resistors

0.6W, 50 PPM



Part Number Table

Description	Part Number
Resistor, Metal Film, 43k, 0.6W, 1%	MCMF006FF4302A50
Resistor, Metal Film, 47k, 0.6W, 1%	MCMF006FF4702A50
Resistor, Metal Film, 51k, 0.6W, 1%	MCMF006FF5102A50
Resistor, Metal Film, 56k, 0.6W, 1%	MCMF006FF5602A50
Resistor, Metal Film, 62k, 0.6W, 1%	MCMF006FF6202A50
Resistor, Metal Film, 68k, 0.6W, 1%	MCMF006FF6802A50
Resistor, Metal Film, 75k, 0.6W, 1%	MCMF006FF7502A50
Resistor, Metal Film, 82k, 0.6W, 1%	MCMF006FF8202A50
Resistor, Metal Film, 91k, 0.6W, 1%	MCMF006FF9102A50
Resistor, Metal Film, 100k, 0.6W, 1%	MCMF006FF1003A50
Resistor, Metal Film, 110k, 0.6W, 1%	MCMF006FF1103A50
Resistor, Metal Film, 120k, 0.6W, 1%	MCMF006FF1203A50
Resistor, Metal Film, 130k, 0.6W, 1%	MCMF006FF1303A50
Resistor, Metal Film, 150k, 0.6W, 1%	MCMF006FF1503A50
Resistor, Metal Film, 160k, 0.6W, 1%	MCMF006FF1603A50
Resistor, Metal Film, 180k, 0.6W, 1%	MCMF006FF1803A50
Resistor, Metal Film, 200k, 0.6W, 1%	MCMF006FF2003A50
Resistor, Metal Film, 220k, 0.6W, 1%	MCMF006FF2203A50
Resistor, Metal Film, 240k, 0.6W, 1%	MCMF006FF2403A50
Resistor, Metal Film, 270k, 0.6W, 1%	MCMF006FF2703A50
Resistor, Metal Film, 300k, 0.6W, 1%	MCMF006FF3003A50
Resistor, Metal Film, 330k, 0.6W, 1%	MCMF006FF3303A50
Resistor, Metal Film, 360k, 0.6W, 1%	MCMF006FF3603A50
Resistor, Metal Film, 390k, 0.6W, 1%	MCMF006FF3903A50
Resistor, Metal Film, 430k, 0.6W, 1%	MCMF006FF4303A50
Resistor, Metal Film, 470k, 0.6W, 1%	MCMF006FF4703A50
Resistor, Metal Film, 510k, 0.6W, 1%	MCMF006FF5103A50
Resistor, Metal Film, 560k, 0.6W, 1%	MCMF006FF5603A50
Resistor, Metal Film, 620k, 0.6W, 1%	MCMF006FF6203A50
Resistor, Metal Film, 680k, 0.6W, 1%	MCMF006FF6803A50
Resistor, Metal Film, 750k, 0.6W, 1%	MCMF006FF7503A50
Resistor, Metal Film, 820k, 0.6W, 1%	MCMF006FF8203A50
Resistor, Metal Film, 910k, 0.6W, 1%	MCMF006FF9103A50
Resistor, Metal Film, 1M, 0.6W, 1%	MCMF006FF1004A50
Resistor, Metal Film, 10M, 0.6W, 1%	MCMF006FF1005A50