

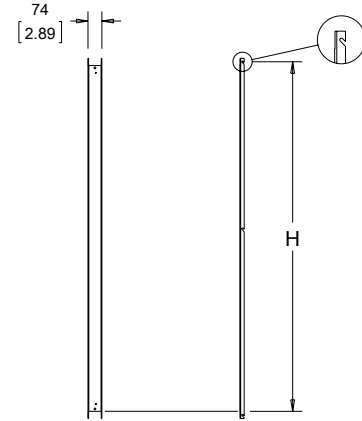
JOINING SUBPANEL



FINISH

For painted versions:

- Painted polyester powder paint; white
- Custom colors available



89129501

APPLICATION

The PROLINE G2 Joining Subpanel provides a continuous panel surface in multiple-bay enclosures. The joining subpanel is inserted between full subpanels of equal height. It can be installed from front or rear.

FEATURES

- Provides a continuous panel surface in multiple bay enclosures
- Can be inserted between full mounting subpanels of equal height
- Painted or galvanized options

SPECIFICATIONS

- Can be installed from front or rear
- Subpanels can be mounted at any depth in 25-mm increments (front to back)
- Heights greater than or equal to 1400 mm are 10 gauge (3.0 mm) mild steel; heights less than 1400mm are 12 gauge (2.5 mm)

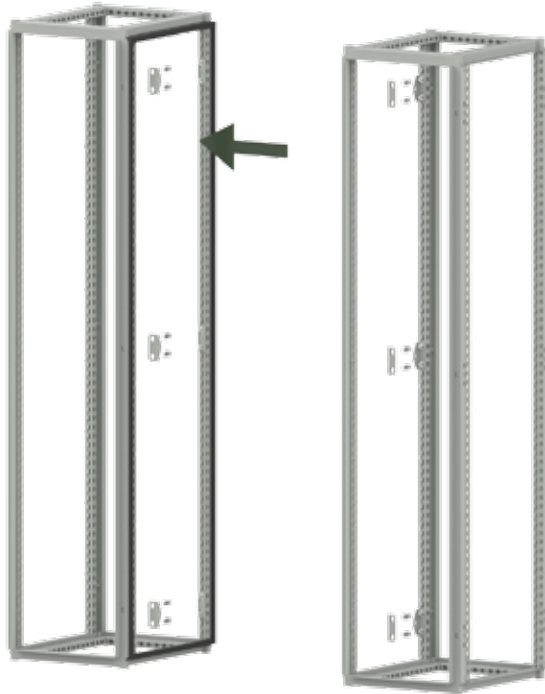
BULLETIN: P40

Catalog Number	H (mm)	H (in.)	Fits Frame Height mm	Description
P2PJ6	506	19.9	600	Painted
P2PJ6G	506	19.9	600	Conductive
P2PJ8	706	27.8	800	Painted
P2PJ8G	706	27.8	800	Conductive
P2PJ10	906	35.7	1000	Painted
P2PJ10G	906	35.7	1000	Conductive
P2PJ12	1106	43.5	1200	Painted
P2PJ12G	1106	43.5	1200	Conductive
P2PJ14	1306	51.4	1400	Painted
P2PJ14G	1306	51.4	1400	Conductive
P2PJ16	1506	59.3	1600	Painted
P2PJ16G	1506	59.3	1600	Conductive
P2PJ18	1706	67.2	1800	Painted
P2PJ18G	1706	67.2	1800	Conductive
P2PJ20	1906	75.0	2000	Painted
P2PJ20G	1906	75.0	2000	Conductive
P2PJ22	2106	82.9	2200	Painted
P2PJ22G	2106	82.9	2200	Conductive

Model	Component	Type	Height	Specialty	Catalog Number
P2	P	J	20	G	= P2PJ208G
PROLINE G2	Mounting Subpanel	Blank = full subpanel SM = full, side-mount J = joining P = partial PSM = partial, side-mount SO = swing-out	mm 22 = 2200 20 = 2000 18 = 1800 16 = 1600 14 = 1400 12 = 1200 10 = 1000 8 = 800 6 = 600	Blank = painted G = galvanized	

NOTE: Not every combination is available as a standard product.

FRAME JOINING KITS



APPLICATION

The PROLINE G2 Frame Joining Kit joins two modular enclosures while maintaining an environmental seal. This process is also commonly referred to as baying. The kits have been designed for ease of installation, while maintaining the G2 solution strength.

SPECIFICATIONS

- P2AJ is the standard side-to-side joining solution for PROLINE G2. Two unique gaskets are supplied in the kit: the L-shaped gasket mounts to the frame's knife edge at the top and bottom; while the flat gasket mounts to the frame's vertical rails. The supplied hardware mounts through the frame holes, and incorporates a compression stop spacer to ensure nominal gasket compression.
- P2AJJ relies on the same gasketing as P2AJ, but utilizes a new two-piece bracket that mounts between enclosures on the frame mounting holes. The two-piece nature of this bracket allows the user to bay enclosures for initial population, separate for transportation, and then re-bay in the field without having to remove the bracket(s). This solution is a great option for applications where the preferred position of the mounting subpanel is fully recessed in the rear.
- P2AJF is designed for front-to-back joining, utilizing an external bracket, plastic cover, and gasket for sealing.
- P2AJP and P2AJR are designed for side-to-side joining of G2 enclosures to PROLINE (Gen 1) and modular enclosures with a closed frame profile respectively.
- P2AJHF is a side-to-side EMC joining kit where UL94HP-rated urethane foam gasket ensures proper metal to metal contact.

BULLETIN: P40

Catalog Number	Description
P2AJ	Joining Kit, G2 Side to G2 Side
P2AJJ	Joining Kit, Alternate G2 Side to G2 Side
P2AJF	Joining Kit, G2 Front to G2 Back
P2AJP	Joining Kit, G2 Side to PROLINE Side
P2AJR	Joining Kit, G2 Side to R Side
P2AJHF	Joining Kit, EMC G2 Side to G2 Side

FULLY-SEALED PLINTH BASE JOINING KIT



APPLICATION

The Fully-Sealed Plinth Base Joining Kit provides a seal between the side gland plate openings on adjacent Fully-Sealed Plinth Bases in joined bay configurations. Used in combination with the PROLINE G2 side-to-side joining kit.

FEATURES

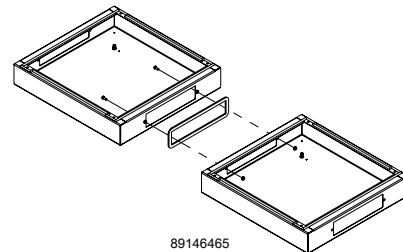
- Maintains NEMA 12 rating between Fully-Sealed Plinth bases
- Allows for sealed cable routing between joined cabinets

SPECIFICATIONS

- Includes nylon wire edge protector to prevent wear and abrasion of wires and cables
- Gasket and installation hardware included

BULLETIN: P40

Catalog Number	Description
P2AJSB	Joining Kit, Sealed Plinth Base



TRANSPORTATION BASE JOINING KIT, SIDE-TO-SIDE



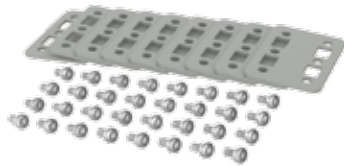
APPLICATION

The PROLINE G2 Transportation Base Joining Kit, Side-to-Side interconnects transportation bases while maintaining the NEMA Type 12 rating.

FEATURES

- Maintains NEMA 12 rating between Fully-Sealed Plinth bases
- Allows for sealed cable routing between joined cabinets

JOINING KIT SUPPORT BRACKET



APPLICATION

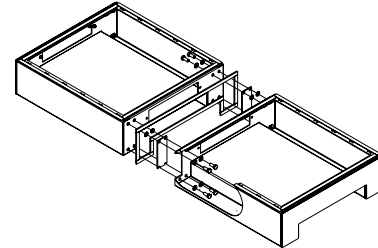
The PROLINE G2 Joining Kit Support Bracket is used in conjunction with the standard joining kit if additional support is desired. The kit includes a quantity of 8, 12 gauge, mild steel brackets with mounting hardware. The brackets span the joined frames and can be placed as needed.

SPECIFICATIONS

- Gasket and installation hardware included
- Furnished grommet applied to edge of wire feed

BULLETIN: P40

Catalog Number	Description
P2AJT	Transportation Base Joining Kit, Side-to-Side



89146440

SPECIFICATIONS

- Provides additional support for joined enclosures
- Includes (8) brackets with (32) M5 Thread Forming, Torx-Head Screws

FINISH

- Polyester powder paint
- RAL 7035 textured light gray standard
- Custom colors available

BULLETIN: P40

Catalog Number	Bracket Qty.	Screws Qty.
P2AJKSB	8	32

Notes