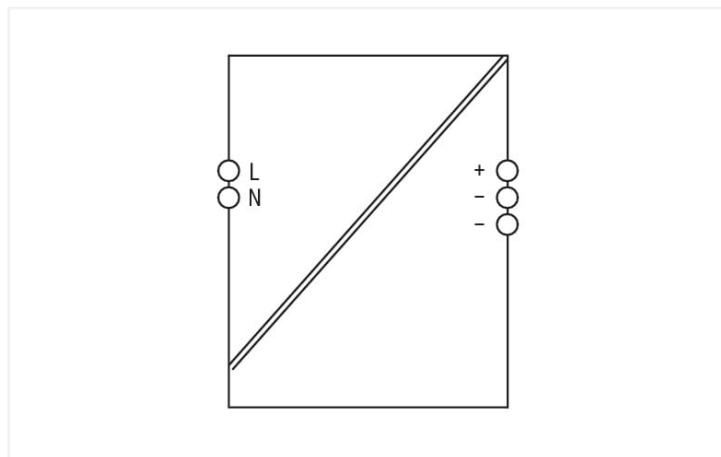


Data Sheet | Item Number: 2687-2142

Power supply; Eco 2; 1-phase; 24 VDC output voltage; 1.25 A output current; DC-OK LED

<https://www.wago.com/2687-2142>



Features:

- Optical status indication
- Suitable for both parallel and series operation
- Natural convection cooling when horizontally mounted
- Connection technology with push-in termination and tool-free lever operation
- Electrically isolated output voltage (SELV/PELV) per EN 61010/UL 61010
- Marker slot (2789-1223, not included) for WAGO marking cards (WMB) and WAGO marking strips

Technical data

Input	
Phases	1
Nominal input voltage $U_{i, nom}$	1 x AC 100 ... 240 V
Input voltage range	1 x AC 90 ... 264 V
Nominal mains frequency range	50 ... 60 Hz
Input current I_i	≤ 0.3 A (230 VAC; nominal load); ≤ 0.6 A (100 VAC; nominal load)
Inrush current	≤ 10 A (after 1 ms)
Power factor correction (PFC)	passive
Mains failure hold-up time	≥ 120 ms (230 VAC); ≥ 15 ms (110 VAC)

Output	
Nominal output voltage $U_{o, nom}$	DC 24 V (SELV)
Output voltage range	DC 22 ... 29 V (adjustable)
Default setting	DC 24 V
Nominal output current $I_{o, nom}$	1.25 A (24 VDC)
Nominal output power	30 W
Deviation	≤ 1 %
Residual ripple	≤ 30 mV (peak-to-peak, at 230 VAC)
Overload behavior	Constant power up to 125 %; shutdown and automatic restart in the event of a short circuit

Signaling and communication	
Signaling	1 x LED DC OK (green)

Efficiency/power losses	
Power loss P_i	≤ 0.2 W (no load); ≤ 4.3 W (nominal load)
Efficiency (typ.)	88 %

Circuit protection	
Internal fuse	T 1 A / 250 VAC
Backup fusing (recommended)	16 A (for USA/Canada: 15 A)

Safety and protection	
Isolation voltage (pri.-sec., AC)	3510 V
Protection class	II
Protection type	IP20; per EN 60529
Resistance to reverse feed	\leq DC 35 V
Overvoltage category	III (≤ 2000 m a.s.l.); II (> 2000 m a.s.l.)
Pollution degree	2
Short-circuit-protected	Yes
Open-circuit-proof	Yes
Parallel operation	Yes
Series operation	Yes
MTBF	$> 1,000,000$ h (per IEC 61709)

Connection data	
Connection type 1	Input/output
Connection technology	Push-in CAGE CLAMP®
Solid conductor	0.2 ... 4 mm ² / 24 ... 12 AWG
Fine-stranded conductor	0.2 ... 4 mm ² / 24 ... 12 AWG

Physical data	
Width	25 mm / 0.984 inches
Height	100 mm / 3.937 inches
Depth from upper-edge of DIN-rail	100 mm / 3.937 inches

Mechanical data

Mounting type	DIN-35 rail
---------------	-------------

Material data

Fire load	0 MJ
Weight	160 g

Environmental requirements

Ambient temperature (operation)	-25 ... +70 °C (Device starts at -40 °C (type-tested))
Ambient temperature (storage)	-40 ... +85 °C
Relative humidity	5 ... 96 % (no condensation permissible)
Derating	See type label/manual
Operating altitude (max.)	5000 m

Standards and specifications

Conformity marking	CE
Standards/specifications	EN 61010-1 EN 61010-2-201 EN 61204-3 UL 61010-1 UL 61010-2-201

Commercial data

ETIM 8.0	EC002540
ETIM 7.0	EC002540
PU (SPU)	1 pcs
Country of origin	CN
GTIN	4066966156492
Customs tariff number	85044083900

Approvals / Certificates

General approvals



Approval	Standard	Certificate Name
UL Underwriters Laboratories Inc.	UL 61010-2-201	E255817

Approvals for hazardous areas



Approval	Standard	Certificate Name
UL Underwriters Laboratories Inc. (HAZARDOUS LOCA- TIONS)	UL 121201	E198726

Downloads

Environmental Product Compliance


Compliance Search

Environmental Product
Compliance 2687-2142


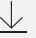


Documentation

Manual

Product Manual Power supply Eco 2; 1-phase; 24 VDC output voltage; 1.25 A output current	V 1.0.0 03.08.2021	pdf 2790.92 KB	
--	-----------------------	-------------------	---

Bid Text

2687-2142	xml 7.11 KB	
2687-2142	docx 33.09 KB	

Instruction Leaflet

Stromversorgung; Eco 2	V 1.0.0 16.06.2021	pdf 2279.02 KB	
------------------------	-----------------------	-------------------	---

CAD/CAE-Data

CAD data

2D/3D Models 2687-2142	
---------------------------	---

1 Compatible Products

1.1 Optional Accessories

1.1.1 Marking

1.1.1.1 Marker carrier



[Item No.: 2789-1223](#)

Marker carrier; for WMB or marking strips;
Length: 23 mm