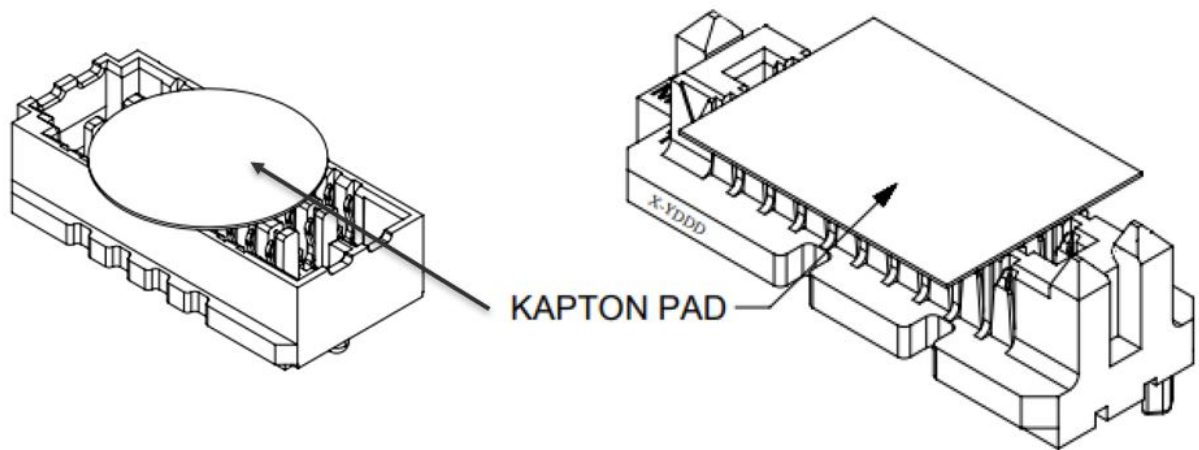


Date Issued :	May 03, 2023	PCN Number :	513606
Reason for Change :	Change Supplier		
Description of Change :	This notification is to inform you about additional of supplier impacting the part(s) attached as per list, No changes will be made to product as part of this change		
Reason for Short Notice :	Special Request		
Assessment of Change :	Supplier Qualification Test Report/s		
Planned Implementation Date :	August 15, 2023		
Sample Availability Date:	April 21, 2023		
Internal Molex Qualification Date :	April 21, 2023		
Last date to request Samples by Customer :	May 31, 2023		
Traceability Code Markings / Date :	Lot information on label		

Before Picture

- **Product illustration**



- Above Products for illustrative purpose only

After Picture

- Molex Singapore shall introduce second source for the Kapton tape/pad used in Searay product series as part as Molex Singapore business plan to ensure smooth/uninterrupted part supply
- Product Impact
 - No form, fit and function attributes changes of the Kapton tape/pad.



- Part Number impacted as per attached impacted part number list
- Qualification report of the new Kapton tape available upon request after the date shown above

RELEASED

You may address inquires regarding this PCN by clicking on the below link
mailto:pcn_coordinator@molex.com?subject=PCN_Notification:513606
 or contact your Local Sales Engineer.

Note: While responding, please retain " PCN Notification : **PCN Notification: 513606** " in the e-mail Subject line for faster response.

[Molex, LLC](#)
 2222 Wellington Court
 Lisle, IL 60532
 TEL (800) 786-6539
www.molex.com