

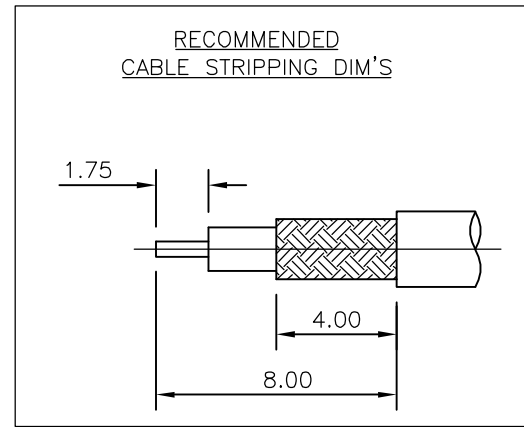
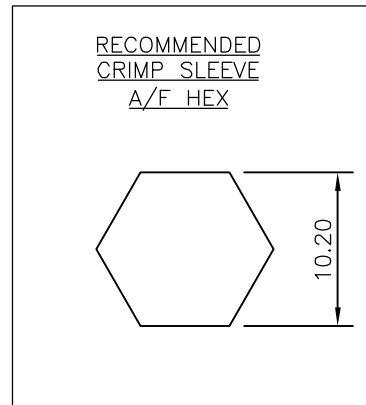
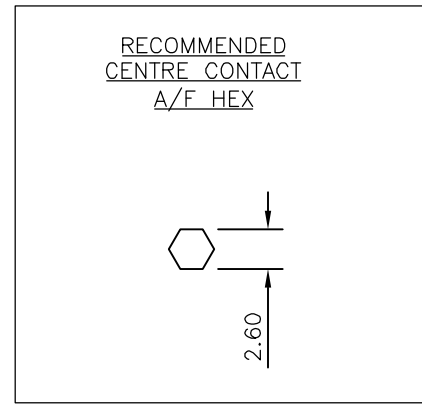
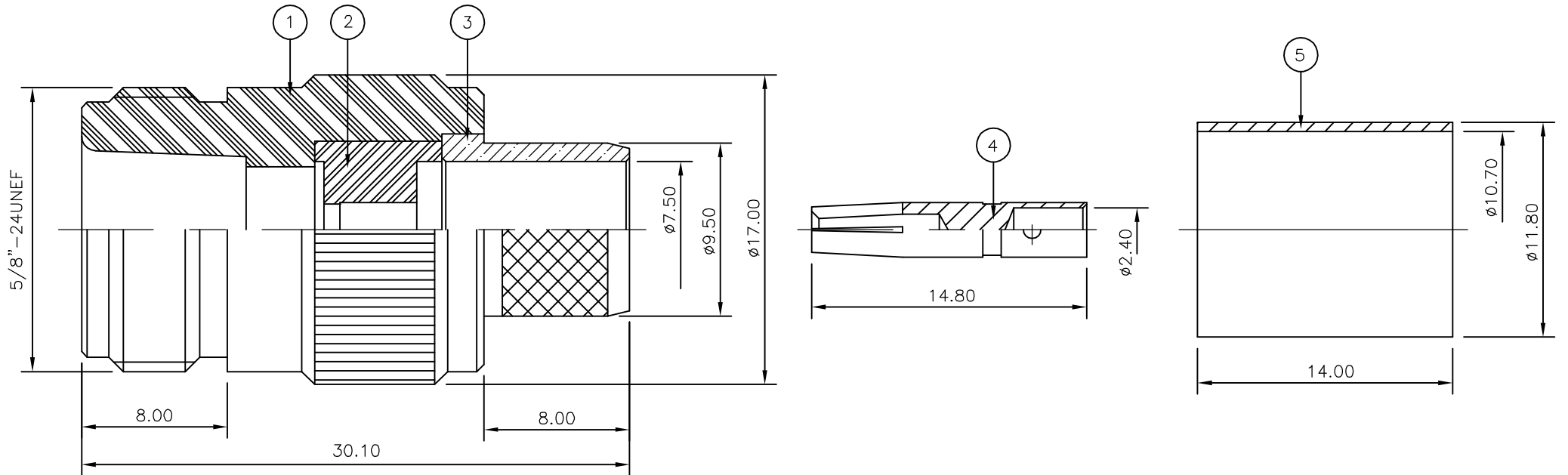
THIS DRAWING IS UNPUBLISHED. RELEASED FOR PUBLICATION SEP, 2005.

© COPYRIGHT 2005 BY TYCO ELECTRONICS CORPORATION. ALL RIGHTS RESERVED.

LOC	DIST	REVISIONS					
E	B	P	LTR	DESCRIPTION	DATE	DWN	APVD
		C		ECR-05-011505	21SEP05	JMS	FWK

NOTES:

- 1 SINGLE PACK IN ACCORDANCE WITH AMP SPEC 107-3275
- 2 100 TRAY PACK IN ACCORDANCE WITH AMP SPEC 107-3275
- 3 Ag PLATING
- 4. HANDTOOL: 9-1478239-0
- 5. ELECTRICAL CHARACTERISTICS
 FREQUENCY RANGE: DC - 11 GHz
 NOMINAL IMPEDANCE: 50 Ohm
 INSULATION RESISTANCE: 5000 MOhm
 WORKING VOLTAGE: 1000 Volts RMS at Sea Level
 DIELECTRIC WITHSTAND VOLTAGE: 2500 Volts RMS Max
 CONTACT RESISTANCE:
 CENTRE CONTACT: 1.00 mOhm Max
 OUTER CONTACT: 1.00 mOhm Max
 VSWR @ 4GHz: 1.30:1 Max
 INSERTION LOSS dB @ x 4 GHz: 0.30 Max
- 6. MECHANICAL CHARACTERISTICS
 COUPLING NUT RETENTION FORCE: N/A
 CABLE RETENTION FORCE: 350 Min
 DURABILITY: 500 Cycles Min
- 7. ENVIRONMENTAL CHARACTERISTICS
 OPERATING TEMPERATURE: -65 to +165 DegC



QTY	REV	MATERIAL	DESCRIPTION	ITEM
1	1	BRASS	CRIMP SLEEVE	5
1	1	BERYLLIUM COPPER	SOCKET	4
1	1	BRASS	BODY	3
1	1	PTFE	INSULATOR	2
1	1	BRASS	BODY	1
6--0	1--0		MATERIAL	DESCRIPTION
				ITEM

THIS DRAWING IS A CONTROLLED DOCUMENT.

DWN	J.SANDWELL	21SEP05
CHK	S.PARLOW	21SEP05
APVD	F.WHEELER-KING	21SEP05
PRODUCT SPEC	108-3435	
APPLICATION SPEC	411-3247	
WEIGHT	-	

TYCO Electronics Tyco Electronics Corporation Bideford EX39 4HE

NAME: TYPE-N STRAIGHT JACK CRIMP 50 OHMS PSF 1/4M, RG8A/U, 213/U, URM67, KX4

SIZE	CAGE CODE	DRAWING NO	RESTRICTED TO
A3	00779	C-1337414	-

CUSTOMER DRAWING SCALE NTS SHEET 1 OF 1 REV C