

Sample image






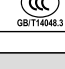
## Datasheet

**Article number:** 70012788


**Designation:** KG125.T103/09.VE

**Description:** Switch Global Disconnecter


<b>IEC 60947-3 EN 60947-3, VDE 0660 Teil 107</b>						
<b>Märkdriftspänning Ui</b>						
<i>Spänning (V) AC / DC</i>						
1000 AC						
<b>Märkdriftström vid konstant drift</b>						
<i>Ström (A)</i>	<i>Omgivningstemperatur (°C)</i>	<i>Temperatur topp (°C) ytterligare krav</i>				
125	50	55 Omgivningstemperatur +50°C under 24 timmar med toppar upp till +55°C				
<b>Märkdriftström Ie</b>						
<i>Urvals kriterie</i>			<i>Spänning (V)</i>		<i>Ström (A)</i>	
AC-32A			20 - 400		125	
<b>Märkdrifteffekt</b>						
<i>Urvals kriterie</i>	<i>Spänning (V)</i>	<i>No. of phases</i>	<i>No. of poles</i>	<i>Effekt (kW)</i>		
AC-3	220 - 240	3	3	22		
AC-3	380 - 440	3	3	37		
AC-3	660 - 690	3	3	30		
AC-23A	220 - 240	3	3	30		
AC-23A	380 - 440	3	3	45		
AC-23A	660 - 690	3	3	37		
<b>Max försäkring, IEC</b>						
<i>Säkringskaraktäristik</i>				<i>Antal säkringar</i>		<i>Ström (A)</i>
gG				1		125
<b>UL60947-4-1, UL508</b>						
<b>Nominal Voltage</b>						
<i>Spänning (V) AC / DC</i>						
600 AC						
<b>Märkdriftspänning Ui</b>						
<i>Spänning (V) AC / DC</i>						
600 AC						
<b>Rated thermal current</b>						
<i>Ström (A)</i>		<i>Omgivningstemperatur (°C)</i>		<i>Additional Text</i>		
150		0 - 40		ON-OFF switch (Valid when connected with wire rated for 75°C)		
125		0 - 40		Change over switch (Valid when connected with wire rated for 75°C)		
<b>Horsepower rating</b>						
<i>Across-the-Line Motor Starting</i>		<i>Spänning (V)</i>	<i>No. of phases</i>	<i>No. of poles</i>	<i>Power (HP)</i>	<i>Ambient temperature [°C]</i>
DOL		110 - 120	1	2	7,50	40
DOL		220 - 240	1	2	20	40
DOL		277 - 277	1	2	20	40
DOL		440 - 480	1	2	35	40
DOL		550 - 600	1	2	35	40
DOL		110 - 120	3	3	15	40
DOL		220 - 240	3	3	30	40
DOL		440 - 480	3	3	60	40
DOL		550 - 600	3	3	60	40
<b>SCCR / Max. fuse rating</b>						
<i>Conditions of acceptability</i>						
This device is suitable for use on circuits capable of delivering not more than 10kA rms symmetrical amperes, 600V ac max. when protected by Type RK1 fuses.						
Suitable for use on a circuit capable of delivering not more than 65000 rms symmetrical amperes at 600V max., when protected by 300A Class J fuses.						
<b>Temp. rating of wire</b>						
<i>Temperature rating (°C)</i>			<i>Ström (A) Text</i>			
75			--			
<b>General Use</b>						
<i>AC / DC</i>	<i>Spänning (V)</i>	<i>Ström (A)</i>	<i>No. of phases</i>	<i>No. of poles</i>	<i>No. of contacts in series</i>	
AC	277	125	1	1	1	
AC	277	150	1	1	1	
AC	600	150	1	2	1	
AC	600	150	3	3	1	
AC double-throw function	600	125	1	2	1	
AC double-throw function	600	125	3	3	1	

General Information						
<i>Text</i>						
- The operating handle and position indicating means to be used with these manual motor controllers should be provided from the manufacturer, or the operating handle and position indicating means to be used should have been previously evaluated in combination with the manual motor controllers.						
CSA						
Nominal Voltage						
				Spänning (V) AC / DC		
				600 AC		
Märkdriftspänning Ui						
				Spänning (V) AC / DC		
				600 AC		
Rated thermal current						
		Ström (A)		Omgivningstemperatur (°C) Additional Text		
		150		0 - 40 --		
Horsepower rating						
<i>Across-the-Line Motor Starting</i>						
	Spänning (V)	No. of phases	No. of poles	Power (HP)	Ambient temperature [°C]	
DOL	110 - 120	1	2	7,50	40	
DOL	220 - 240	1	2	20	40	
DOL	277 - 277	1	2	20	40	
DOL	440 - 480	1	2	35	40	
DOL	550 - 600	1	2	35	40	
DOL	110 - 120	3	3	15	40	
DOL	220 - 240	3	3	30	40	
DOL	440 - 480	3	3	60	40	
DOL	550 - 600	3	3	60	40	
Temp. rating of wire						
				Temperature rating (°C)		
				75		
				Ström (A) Text		
				-- --		
General Use						
AC / DC	Spänning (V)	Ström (A)	No. of phases	No. of poles	No. of contacts in series	
AC	277	150	1	1	1	
AC	600	150	1	2	1	
AC	600	150	3	3	1	
GENERAL TECHNICAL INFORMATION						
Size of conductor						
<i>composition of conductor</i>	<i>Min. / Max. value</i>		<i>No. of conductor per terminal</i>	<i>Cross section (mm<sup>2</sup>) or (AWG/kcmil)</i>		<i>Material of the wire</i>
solid wire	Min.		1	6mm <sup>2</sup>		Copper
flexible wire	Max.		1	70mm <sup>2</sup>		Copper
flexible wire	Min.		1	16mm <sup>2</sup>		Copper
flexible wire	Max.		1	AWG 2/0		Copper
Single-core or stranded wire	Max.		1	95mm <sup>2</sup>		Copper
Single-core or stranded wire	Max.		1	AWG 3/0		Copper
flexible wire with sleeve	Max.		1	70mm <sup>2</sup>		Copper
flexible wire with ferrule according to DIN 46228	Min.		1	10mm <sup>2</sup>		Copper
Stripping length						
Length (mm) --						
						
Rekomenderad skruvmejsel						
<i>Typ av skruvmejsel</i>				<i>Value</i>		
Insex				5		
Tightening torque of screws						
				<i>tightening torque (Nm)</i>		<i>tightening torque (lb-in)</i>
				14		125
Approbations						
<i>Specification</i>						<i>Marking</i>
EAC						
CE marking						
UK Directives						
CSA C.22.2 No.14						
GB/T14048.3						
General Information						
<i>Text</i>						
- EMC Note: This device is suitable for use in environment A and B.						
- Smörjning och behandling av kontakterna är förbjuden.						
- Inkoppling och service av strömställaren får endast utföras av behörig personal. Strömställaren är underhållsfri.						
- Använd endast kopparkabel. Kabeln får inte förtennas.						
- Alla anslutningsskruvar måste dras med rekommenderat moment, även de som inte används då det kan finnas interna överkopplingar.						

**Waste Electrical & Electronic Equipment (WEEE)**

Picture name	Description
	Do not throw in the trash as care must be taken to ensure environmentally sound disposal and recycling. Please either use an environmentally friendly waste disposal company; return to the supplier for disposal; or return direct to the manufacturer, Kraus & Naimer. You can find local Kraus & Naimer offices at <a href="http://www.krausnaimer.com">www.krausnaimer.com</a>

**Proposition 65**

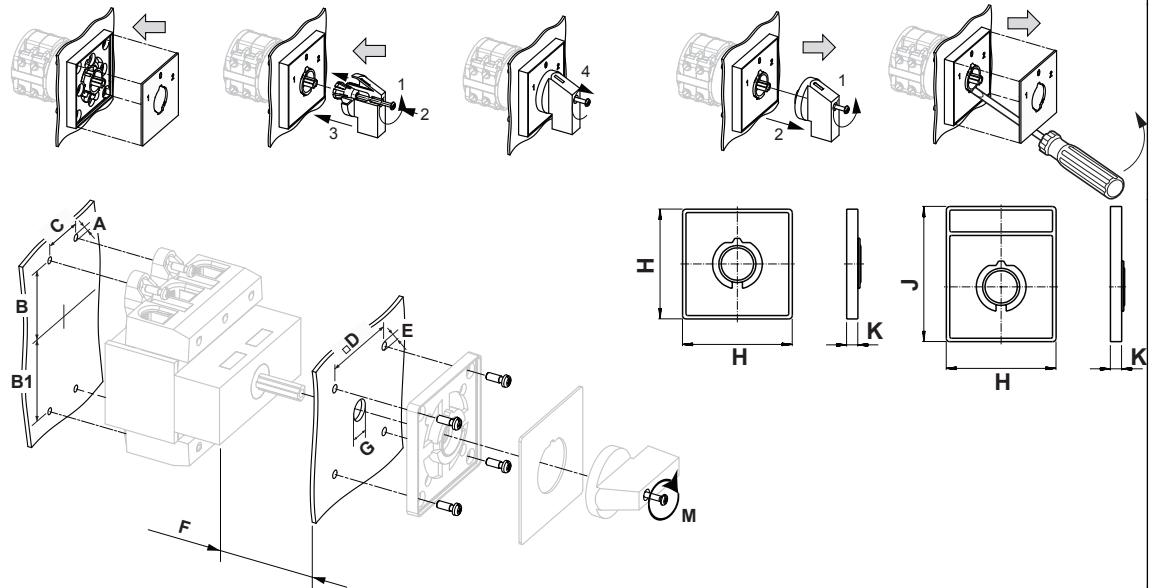
Picture name	Description
	WARNING: This product can expose you to chemicals including nickel and lead, which is known to the State of California to cause cancer. For more information go to <a href="http://www.P65Warnings.ca.gov">www.P65Warnings.ca.gov</a> .

Classification Contact: Rigid contact bridge

Classification Contact Mat: Silver

Classification Terminal: Screw terminal

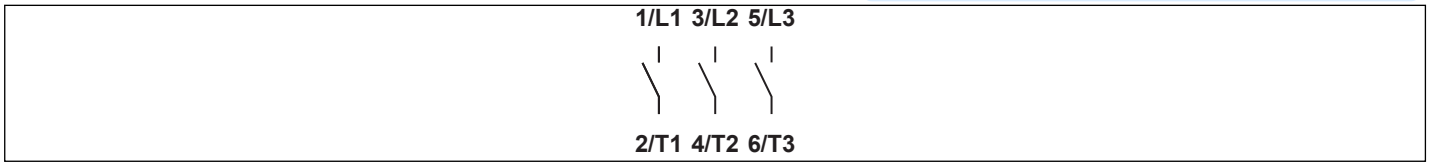
**Mounting-VE**



Skyddsklass frontpanel, IP		IP40
Stages		1,00 - 5,00
A	Ø	6,40 mm
B	H	59,00 - 61,00 mm
B1	H	59,00 - 61,00 mm
C	H	36,00 mm
D	□	68,00 mm
E	Ø	6,00 mm
F	H	<= 16,00 mm
G	Ø	13,00 - 17,00 mm
H	H	88,00 mm
J	H	124,00 mm
K	H	8,50 mm
M	Ⓜ	1,20 Nm

## Wiring diagram

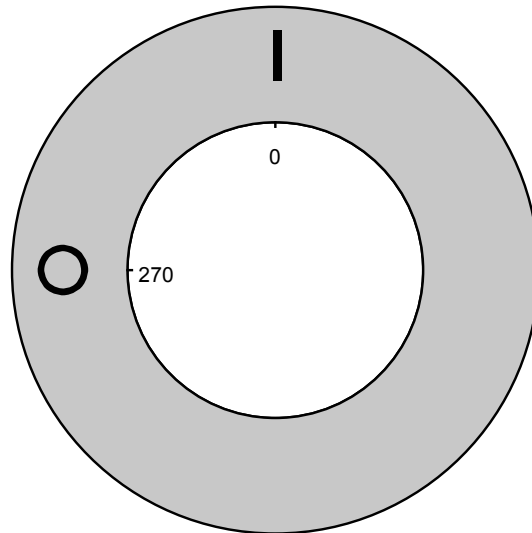
KG125.T303.VE





**Face plate**

S2.F456/C10.V11





Sample image

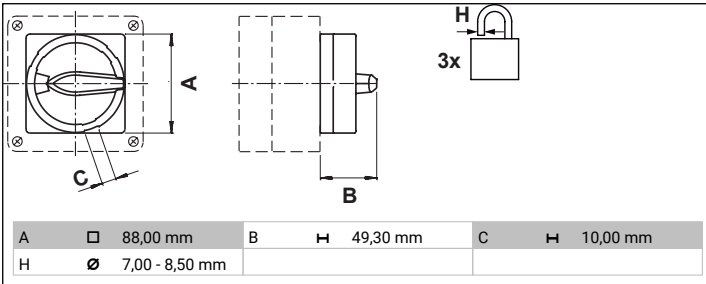
## PADLOCK DEVICE

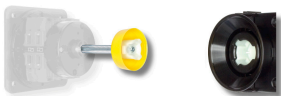
with F-handle ring for type of mounting E, EF, E22, FT, VE, GK, PN, PF, KS (S00)

Designation: S2.V840D/A7

Colour of F-handle ring: "A" black

Colour of face ring: "7" electro-grey





Sample image

## STANDARD DOOR CLUTCH

with shaft extension/asymmetric profile (with arresting screw)

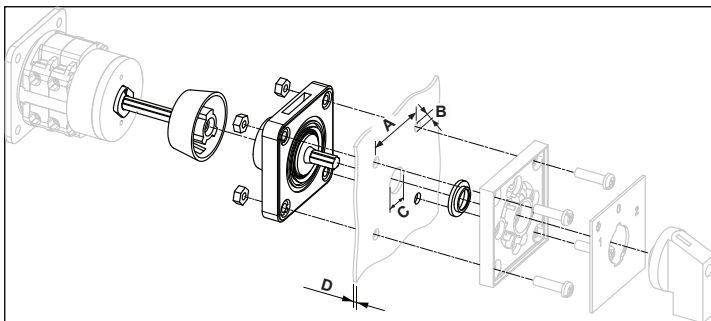
**Designation:** S2.M280E/B21S-EF

**Type of interlock:** "B2" with protected profile and interlock by door clutch

**Shaft length:** "1" 60 - 90 mm

**Application:** "S" for type of mounting VE

**Type of version:** "-EF" splash proof (IP66/67)



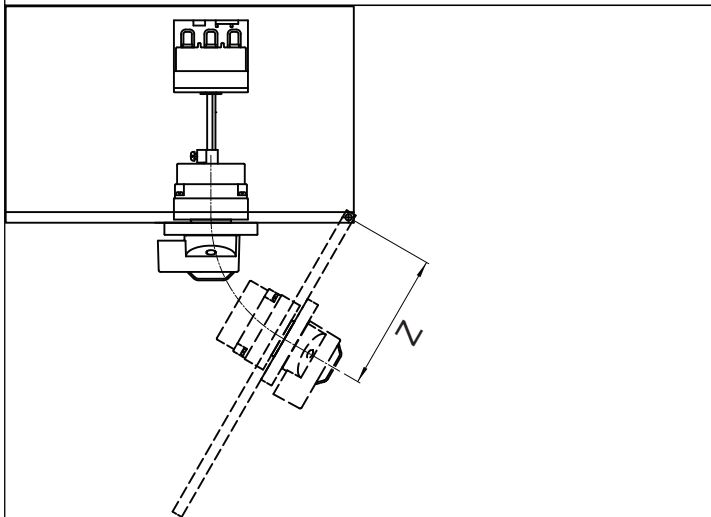
A	□ 68,00 mm	B	∅ 6,00 mm	C	∅ 26,00 - 30,00 mm
D	H 5,50 mm				



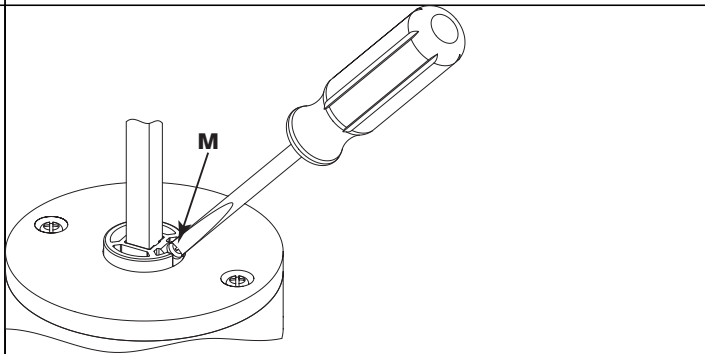
**S2D V840 10**

**S3D V840 10**

If S2 V840D or S2/S3 V845 will be applied with M280D, M280E or M280F, separately delivered parts S2D V840 10 resp. S3D V840 10 are not needed.



Z	H >= 110,00 mm		
---	----------------	--	--



M ↻ 0,80 Nm

1. Loosen the screw
2. Move shaft
3. Tighten the screw