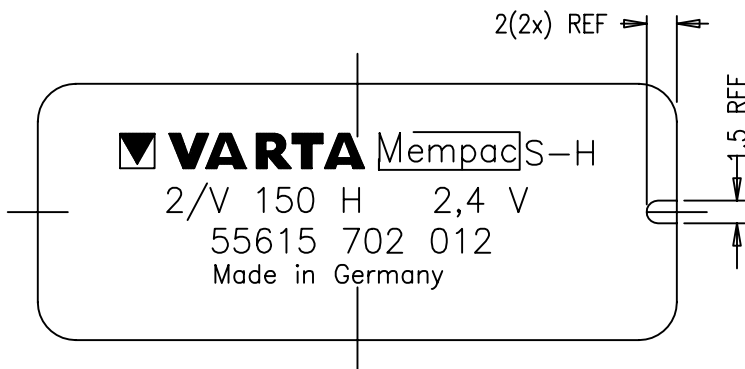
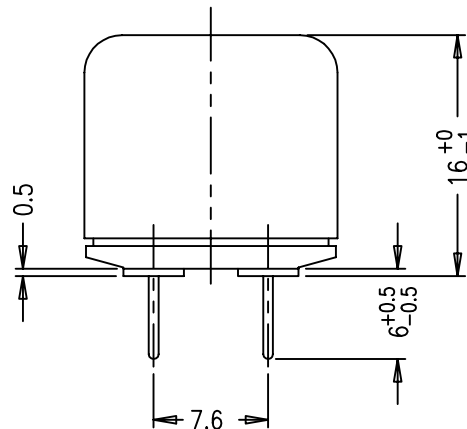
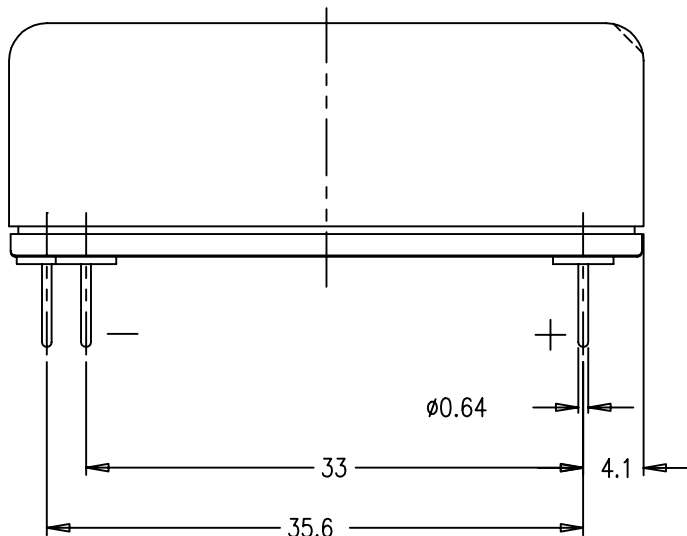
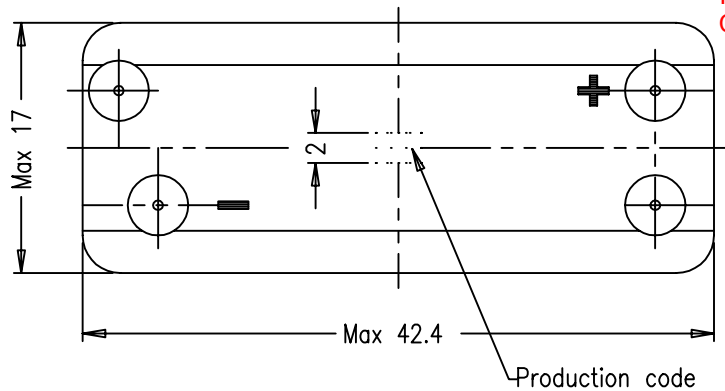


This is a controlled document.
 Hardcopy to be endorsed by authorized person.
 Check with Issuing Office or SAP system for latest update.

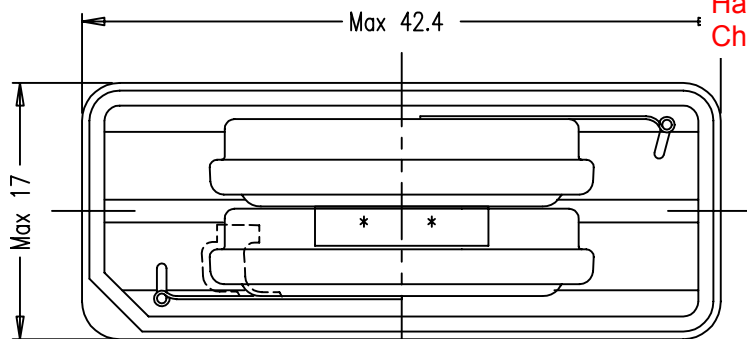


No.	Alterations:	Date:	Name:	Dimensions in mm	Material:
				Tolerance: DIN 7168 Medium	-
				Projection:	Description: 2/V150H battery "Mempac S-H"
				Scale: 2 : 1	
				Date: Name:	
				Prepared: 1997-09-23 A.P.ANG	
				Approved: 2000-	

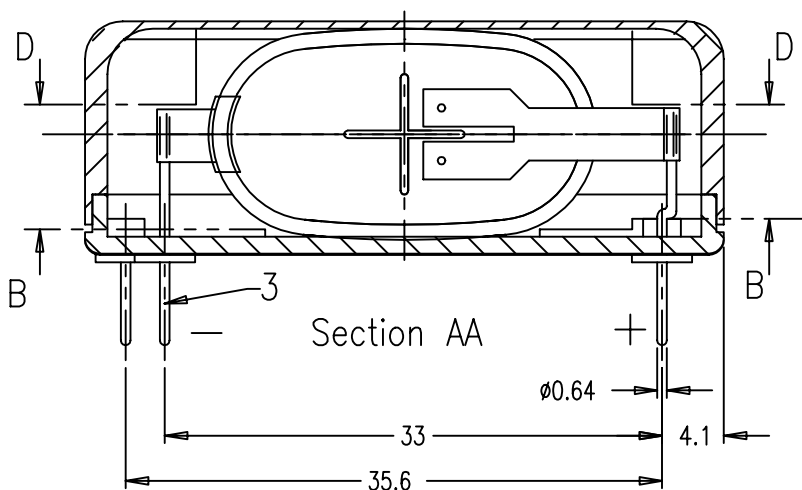
RIGHTS RESERVED TO MAKE TECHNICAL CHANGES, AS A RESULT OF FURTHER DEVELOPMENT, WITHOUT NOTICE . THIS DRAWING IS THE PROPERTY OF VARTA BATTERIES PTE LTD AND MUST NOT BE COPIED OR DISCLOSED TO A THIRD PARTY WITHOUT THE WRITTEN CONSENT OF VARTA BATTERIES PTE LTD.



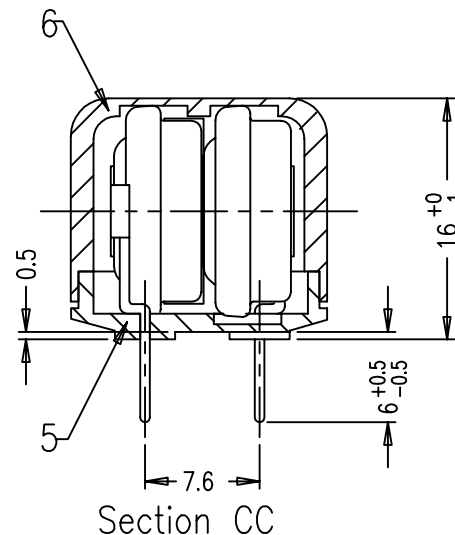
Dwg. No:	070927 (sheet 1 of 2)	400
VKB Order No:	55615 702 012	
Orig No:		



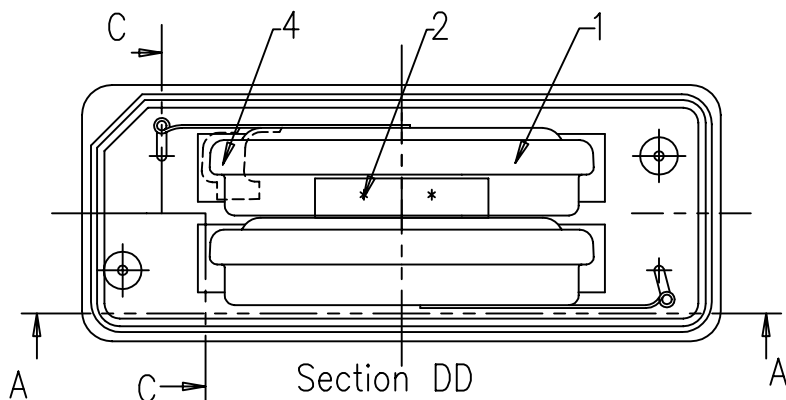
Section BB



Section AA



Section CC



Section DD

- Note: 1) No welding onto the groove
 2) For item no 8: Impregnated separator is at the negative end

No.	Alterations:	Date:	Name:	Dimensions in mm	Material:
				Tolerance: DIN 7168 Medium	Refer to part list no: 070927
				Projection:	Description: 2/V150H battery "Mempac S-H" "Cross-section"
				Scale: 2 : 1	
				Date: 1997-09-23 Name: A.P.ANG	
				Prepared: 2000- Approved:	
RIGHTS RESERVED TO MAKE TECHNICAL CHANGES, AS A RESULT OF FURTHER DEVELOPMENT, WITHOUT NOTICE. THIS DRAWING IS THE PROPERTY OF VARTA BATTERIES PTE LTD AND MUST NOT BE COPIED OR DISCLOSED TO A THIRD PARTY WITHOUT THE WRITTEN CONSENT OF VARTA BATTERIES PTE LTD.					Dwg. No: 070927 (sheet 2 of 2) 400
					VKB Order No: 55615 702 012
Distribution: 0, 1, 1.1, 2, 2.1, 2.2, 3, 3.1, 3.1.1, 3.2, 3.3, 3.4, 4.					Orig No: