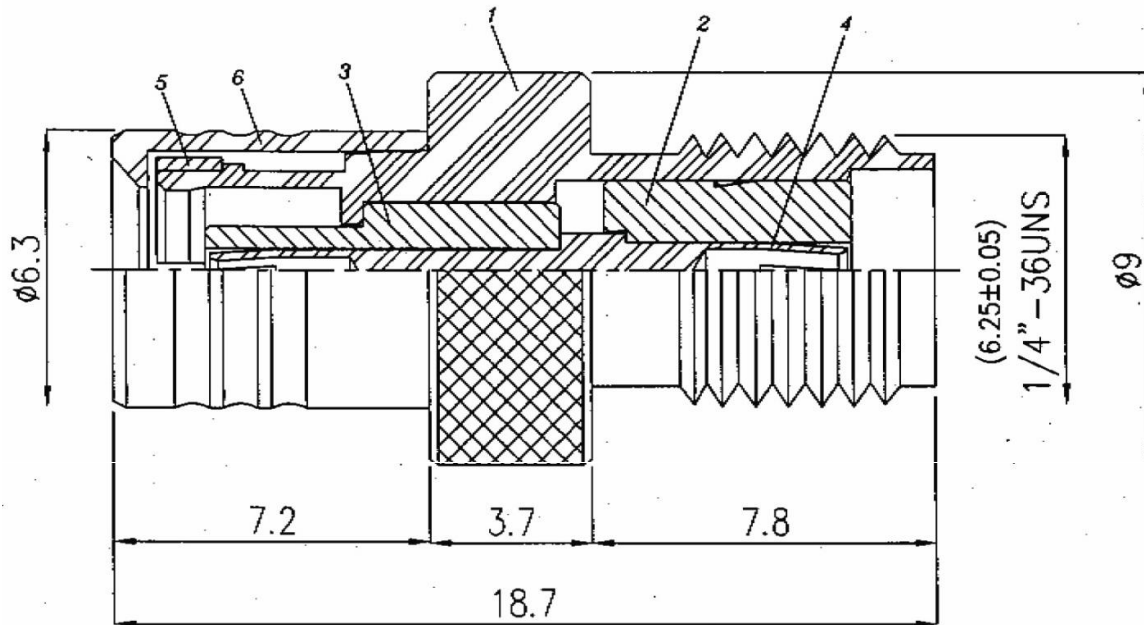


Datenblatt



NO	DESCRIPTION	QTY	MATERIAL	PLATING
1	BODY	1	BRASS	GOLD
2	DIELECTRIC 1	1	PTFE	-
3	DIELECTRIC 2	1	PTFE	-
4	CENTER PIN	1	PHOSPHOR BRONZE	GOLD 1
5	RETAINING RING	1	BERYLLIUM COPPER	-
6	SHELL	1	BRASS	GOLD