



Nanonics

TE Internal #: 1-1589058-4

Standard Circular Connectors, 19 Position, .64mm [.025in] Centerline, Nickel, Aluminum 6061-T6, LCP (Liquid Crystal Polymer), 30AWG Wire Size

[View on TE.com >](#)

Connectors > Circular Connectors > Standard Circular Connectors



Number of Positions: 19

Centerline (Pitch): .64 mm [.025 in]

Shell Plating Material: Nickel

Shell Base Material: Aluminum 6061-T6

Circular Connector Insulation Material Type: LCP (Liquid Crystal Polymer)

Features

Product Type Features

Product Type	Connector
Circular Connector Type	Receptacle

Configuration Features

Factory Installed Backshell	Without
Number of Positions	19
Contacts Preloaded	Yes

Body Features

Environmental Protection Type	Sealed
Environmental Protection	With
Shell Plating Material	Nickel
Shell Base Material	Aluminum 6061-T6
Circular Connector Insulation Material Type	LCP (Liquid Crystal Polymer)

Mechanical Attachment

Mating Retention Type	Push-Pull Quick Disconnect
Panel Mount Feature	With
Mating Retention	With

Housing Features

Centerline (Pitch)	.64 mm[.025 in]
--------------------	-----------------



Dimensions

Wire Size	30 AWG
-----------	--------

Usage Conditions

Operating Temperature Range	-55 – 200 °C
-----------------------------	--------------

Packaging Features

Packaging Quantity	1
--------------------	---

Product Compliance

[For compliance documentation, visit the product page on TE.com>](#)

EU RoHS Directive 2011/65/EU	Compliant
EU ELV Directive 2000/53/EC	Compliant
China RoHS 2 Directive MIIT Order No 32, 2016	No Restricted Materials Above Threshold
EU REACH Regulation (EC) No. 1907/2006	Current ECHA Candidate List: JAN 2021 (211) Candidate List Declared Against: JUL 2019 (201) SVHC > Threshold: Not Yet Reviewed
Halogen Content	Not Yet Reviewed for halogen content
Solder Process Capability	Wave solder capable to 265°C

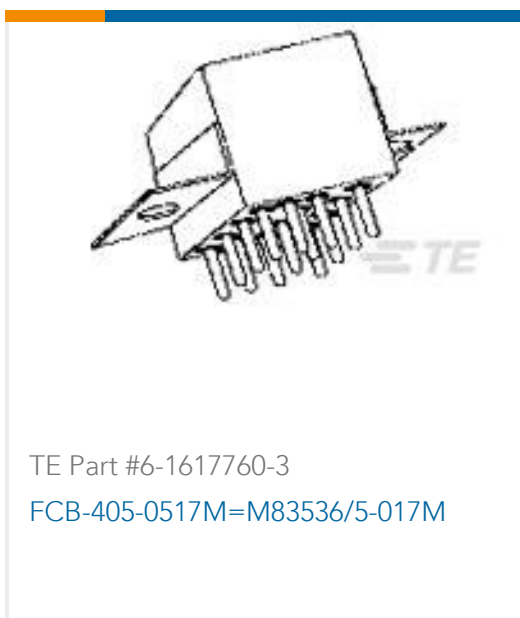
Product Compliance Disclaimer

This information is provided based on reasonable inquiry of our suppliers and represents our current actual knowledge based on the information they provided. This information is subject to change. The part numbers that TE has identified as EU RoHS compliant have a maximum concentration of 0.1% by weight in homogenous materials for lead, hexavalent chromium, mercury, PBB, PBDE, DBP, BBP, DEHP, DIBP, and 0.01% for cadmium, or qualify for an exemption to these limits as defined in the Annexes of Directive 2011/65/EU (RoHS2). Finished electrical and electronic equipment products will be CE marked as required by Directive 2011/65/EU. Components may not be CE marked. Additionally, the part numbers that TE has identified as EU ELV compliant have a maximum concentration of 0.1% by weight in homogenous materials for lead, hexavalent chromium, and mercury, and 0.01% for cadmium, or qualify for an exemption to these limits as defined in the Annexes of Directive 2000/53/EC (ELV). Regarding the REACH Regulation, the information TE provides on SVHC in articles for this part number is based on the latest European Chemicals Agency (ECHA) 'Guidance on requirements for substances in articles' posted at this URL: <https://echa.europa.eu/guidance-documents/guidance-on-reach>

Compatible Parts



Customers Also Bought



Documents

Product Drawings

[QCM019SC2DC180F = CIRCULAR](#)

English

CAD Files

[3D PDF](#)

[3D](#)

[Customer View Model](#)

[ENG_CVM_CVM_1-1589058-4_F.2d_dxf.zip](#)



English

Customer View Model

[ENG_CVM_CVM_1-1589058-4_F.3d_igs.zip](#)

English

Customer View Model

[ENG_CVM_CVM_1-1589058-4_F.3d_stp.zip](#)

English

By downloading the CAD file I accept and agree to the [Terms and Conditions](#) of use.

Datasheets & Catalog Pages

[1589058 Nanonics Cross Reference](#)

English