

NOTES

1. 本製品は極数によって、ロック形状が変わりますので御注意願います。
THE LOCK SHAPE OF THIS PRODUCT CHANGES ACCORDING TO THE NUMBER OF CIRCUIT.
2~5 CIRCUITS : フリクションロック FRICTION LOCK
6~15 CIRCUITS : インナーポジティブロック INNER POSITIVE LOCK
2. 材料 : TABLE 1,2 参照
MATERIAL : SEE TABLE 1 AND 2
3. 適応嵌合相手はSHEET 3を御参照下さい。
PLEASE REFER TO SHEET 3 FOR MATE PARTNER.
4. アプリケーション仕様書(コネクタ取扱い説明書) : 5013300000-AS A00(JAPANESE)/-A01(ENGLISH)
APPLICATION SPECIFICATION(CONNECTOR MANUAL):
5. 梱包形態 : SPK-501330-001
PACKAGING INFORMATION:
6. 偶数極に適応
APPLY FOR EVEN CIRCUIT

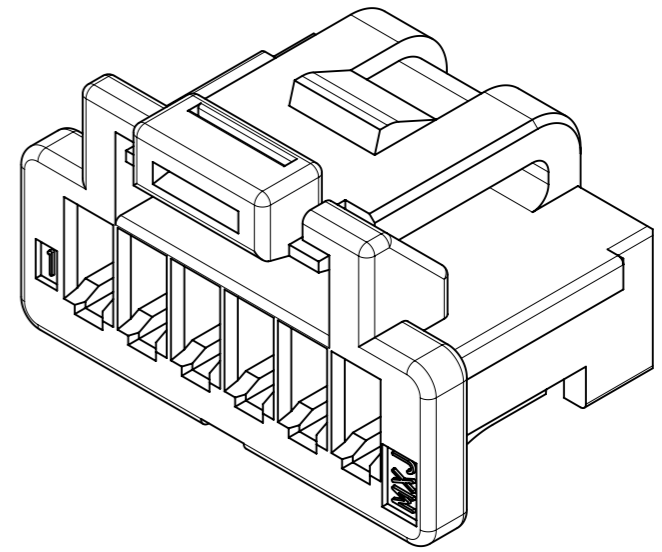
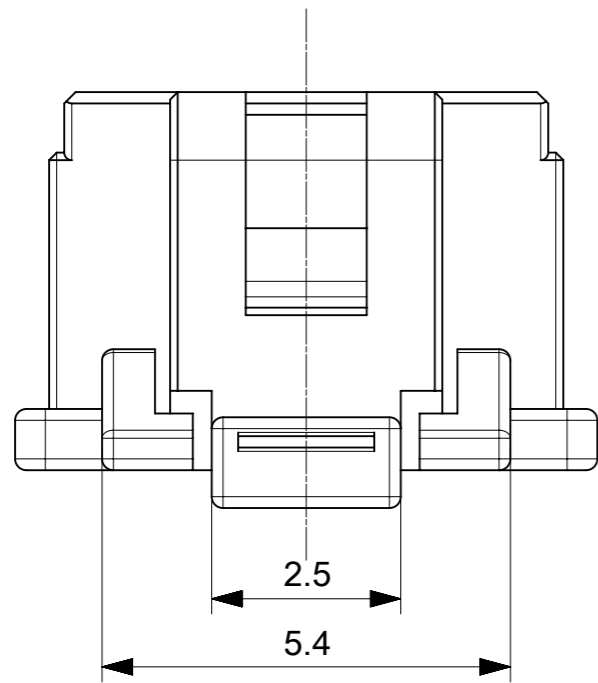
5.4	4.0	6.7	5
4.4	3.0	5.7	4
3.4	2.0	4.7	3
2.4	1.0	3.7	2
C	B	A	極数 CIRCUIT SIZE

TABLE 1

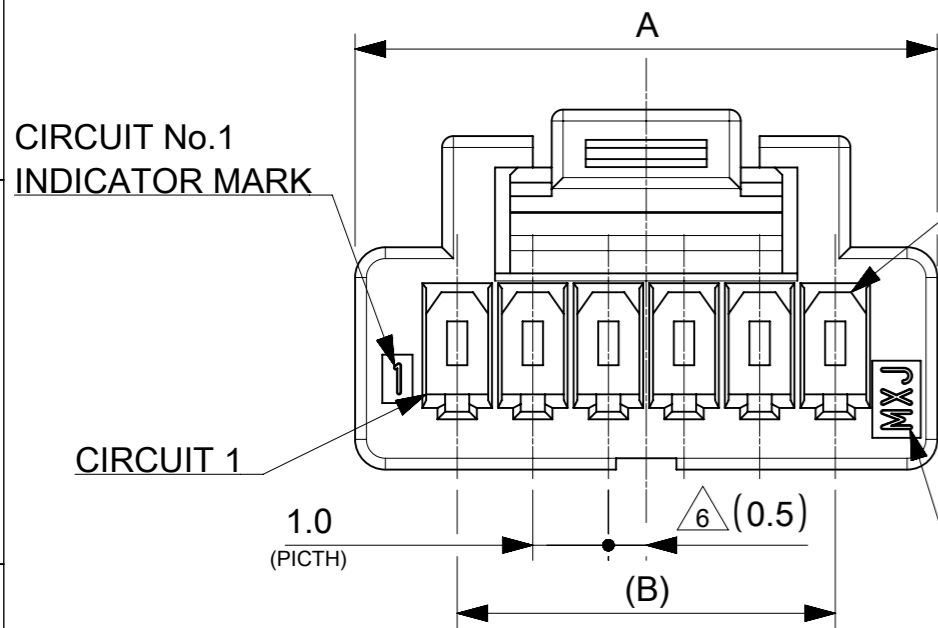
部品 PART	材質 MATERIAL
ハウジング HOUSING	ポリアミド(PA), UL94V-0, 色 : SEE SHEET 4 POLYAMIDE(PA), UL94V-0, COLOR : SEE SHEET 4
DOCUMENT STATUS	P1 RELEASE DATE 2019/04/05 01:07:44

THIS DRAWING CONTAINS INFORMATION THAT IS PROPRIETARY TO MOLEX ELECTRONIC TECHNOLOGIES, LLC AND SHOULD NOT BE USED WITHOUT WRITTEN PERMISSION

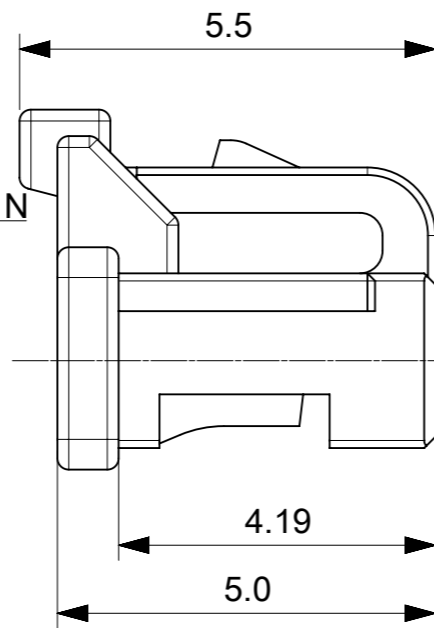
DIMENSION UNITS mm	SCALE NTS	CURRENT REV DESC:		molex			
GENERAL TOLERANCES (UNLESS SPECIFIED)		EC NO: 614886					
ANGULAR TOL	± 3.0 °	DRWN: AISHIKAWA 2019/03/12		PRODUCT CUSTOMER DRAWING			
4 PLACES	± 0.2	CHK'D: AIDA 2019/04/03		DOCUMENT NUMBER			
3 PLACES	± 0.2	APPR: KOMURAKAMI 2019/04/05		5013300000-SD			
2 PLACES	± 0.2	INITIAL REVISION:		DOC TYPE DOC PART REVISION			
1 PLACE	± 0.2	DRWN: AISHIKAWA 2019/03/12		PSD 000 A			
0 PLACES	± 0.2	APPR: KOMURAKAMI 2019/04/05		MATERIAL NUMBER CUSTOMER			
DRAFT WHERE APPLICABLE MUST REMAIN WITHIN DIMENSIONS		THIRD ANGLE PROJECTION	DRAWING	SERIES	SHEET NUMBER		SHEET NUMBER
			A3-SIZE	501330	SEE SHEET 4		1 OF 4



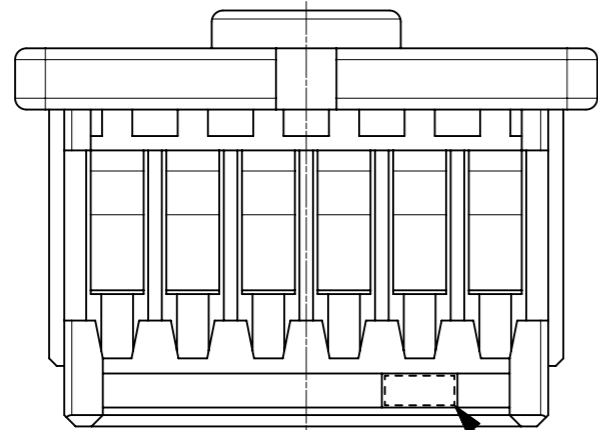
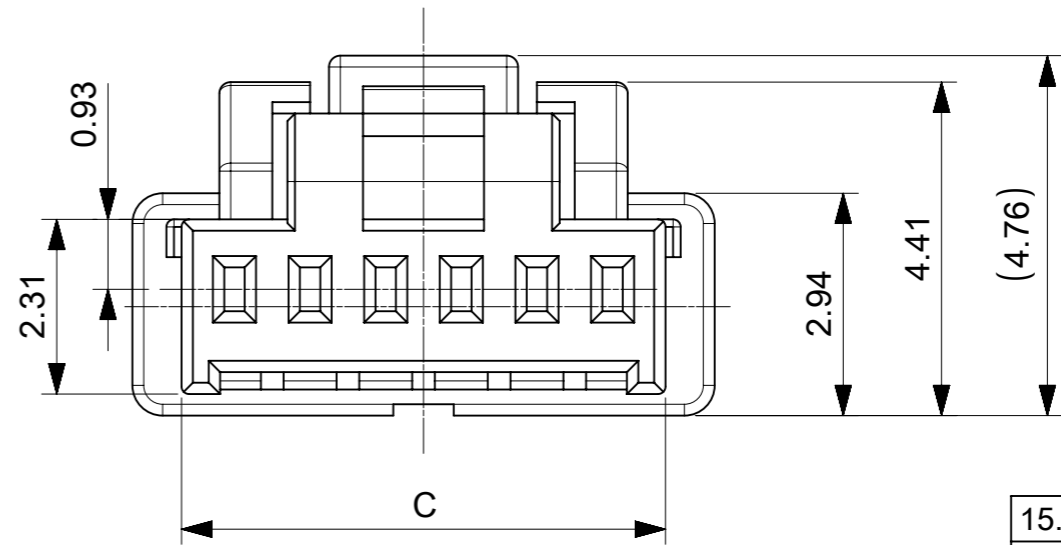
CIRCUIT No.1
INDICATOR MARK



CIRCUIT N



TRADE MARK



CAV No.
& MOLD No.

△ 7 発注番号 : SHEET 4 参照
ORDER No. : PLEASE REFER TO SHEET 4 FOR PRODUCT LIST.

501330 - ** **

極数 CIRCUIT SIZE	ハウジングカラー HOUSING COLOR
	00:NATURAL(WHITE)

15.4	14.0	16.7	15
14.4	13.0	15.7	14
13.4	12.0	14.7	13
12.4	11.0	13.7	12
11.4	10.0	12.7	11
10.4	9.0	11.7	10
9.4	8.0	10.7	9
8.4	7.0	9.7	8
7.4	6.0	8.7	7
6.4	5.0	7.7	6
C	B	A	極数 CIRCUIT SIZE

△ TABLE 2

部品 PART	材質 MATERIAL
ハウジング HOUSING	ポリアミド(PA), UL94V-0, 色 : SEE SHEET 4 POLYAMIDE(PA), UL94V-0, COLOR : SEE SHEET 4
DOCUMENT STATUS	P1 RELEASE DATE 2019/04/05 01:07:44

THIS DRAWING CONTAINS INFORMATION THAT IS PROPRIETARY TO MOLEX ELECTRONIC TECHNOLOGIES, LLC AND SHOULD NOT BE USED WITHOUT WRITTEN PERMISSION		CURRENT REV DESC:		molex	
DIMENSION UNITS mm	SCALE NTS	EC NO: 614886 DRWN: AISHIKAWA 2019/03/12 CHK'D: AIDA 2019/04/03 APPR: KOMURAKAMI 2019/04/05			
GENERAL TOLERANCES (UNLESS SPECIFIED)		INITIAL REVISION:		DOCUMENT NUMBER	
ANGULAR TOL ± 3.0°	4 PLACES ± 0.2	DRWN: AISHIKAWA 2019/03/12 APPR: KOMURAKAMI 2019/04/05		5013300000-SD	
3 PLACES ± 0.2	2 PLACES ± 0.2	DRAWING		DOC TYPE	DOC PART
1 PLACE ± 0.2	0 PLACES ± 0.2	A3-SIZE		PSD	000
DRAFT WHERE APPLICABLE MUST REMAIN WITHIN DIMENSIONS		THIRD ANGLE PROJECTION	SERIES	MATERIAL NUMBER	CUSTOMER
			501330	SEE SHEET 4	
				SHEET NUMBER	2 OF 4

△ 3 適応製品
APPLICABLE PRODUCTS

適応嵌合相手 APPLICABLE PARTNER	実装タイプ MOUNT TYPE	SMT	
	めっき仕様 PLATING	TIN PLATING	
	嵌合方向 ROW	VERTICAL	RIGHT ANGLE
	シリーズ番号 SERIES No.	501331	501568

適応嵌合相手 APPLICABLE PARTNER	実装タイプ MOUNT TYPE	SMT					
	めっき仕様 PLATING	GOLD PLATING					
	めっき厚 PLATING THICKNESS [micro-meter MIN.]	0.1		0.38		0.76	
	嵌合方向 ROW	VERTICAL	RIGHT ANGLE	VERTICAL	RIGHT ANGLE	VERTICAL	RIGHT ANGLE
	シリーズ番号 SERIES No.	504449	202396	203556	203558	203557	203559

THIS DRAWING CONTAINS INFORMATION THAT IS PROPRIETARY TO MOLEX ELECTRONIC TECHNOLOGIES, LLC AND SHOULD NOT BE USED WITHOUT WRITTEN PERMISSION										
DIMENSION UNITS	SCALE	CURRENT REV DESC:				molex				
mm	NTS									
GENERAL TOLERANCES (UNLESS SPECIFIED)		EC NO: 614886 DRWN: AISHIKAWA 2019/03/12 CHK'D: AIDA 2019/04/03 APPR: KOMURAKAMI 2019/04/05 INITIAL REVISION: DRWN: AISHIKAWA 2019/03/12 APPR: KOMURAKAMI 2019/04/05				PICO-CLASP 1.0 W/B SINGLE ROW REC HSG INNER LOCK				
ANGULAR TOL	± 3.0 °					PRODUCT CUSTOMER DRAWING				
4 PLACES	± 0.2					DOCUMENT NUMBER		DOC TYPE	DOC PART	REVISION
3 PLACES	± 0.2					5013300000-SD		PSD	000	A
2 PLACES	± 0.2					MATERIAL NUMBER		CUSTOMER		SHEET NUMBER
1 PLACE	± 0.2					SEE SHEET 4				3 OF 4
0 PLACES	± 0.2	THIRD ANGLE PROJECTION		DRAWING	SERIES	MATERIAL NUMBER				
DRAFT WHERE APPLICABLE MUST REMAIN WITHIN DIMENSIONS				A3-SIZE	501330	SEE SHEET 4				

9 8 7 6 5 4 3 2 1

E

E

D

D

C

C

B

B

A

A

△7 製品一覧 PRODUCT LIST

HOUSING COLOR		
NATURAL(WHITE)		
501330	1500	15
↑	1400	14
	1300	13
	1200	12
	1100	11
	1000	10
	0900	9
	0800	8
	0700	7
	0600	6
	0500	5
	0400	4
	0300	3
501330	0200	2
発注番号 ORDER No.		極数
梱包形態：ポリ袋		CIRCUIT SIZE
PACKAGE:POLYBAG		

THIS DRAWING CONTAINS INFORMATION THAT IS PROPRIETARY TO MOLEX ELECTRONIC TECHNOLOGIES, LLC AND SHOULD NOT BE USED WITHOUT WRITTEN PERMISSION									
DIMENSION UNITS		SCALE		CURRENT REV DESC:				molex	
mm		NTS							
GENERAL TOLERANCES (UNLESS SPECIFIED)				EC NO: 614886				PICO-CLASP 1.0 W/B	
ANGULAR TOL ± 3.0 °				DRWN: AISHIKAWA 2019/03/12				SINGLE ROW REC HSG INNER LOCK	
4 PLACES ± 0.2				CHK'D: AIDA 2019/04/03				PRODUCT CUSTOMER DRAWING	
3 PLACES ± 0.2				APPR: KOMURAKAMI 2019/04/05				DOCUMENT NUMBER	
2 PLACES ± 0.2				INITIAL REVISION:				5013300000-SD	
1 PLACE ± 0.2				DRWN: AISHIKAWA 2019/03/12				DOC TYPE	
0 PLACES ± 0.2				APPR: KOMURAKAMI 2019/04/05				PSD	
DRAFT WHERE APPLICABLE MUST REMAIN WITHIN DIMENSIONS		THIRD ANGLE PROJECTION		DRAWING		SERIES		MATERIAL NUMBER	
				A3-SIZE		501330		CUSTOMER	
								SHEET NUMBER	
								4 OF 4	

DOCUMENT STATUS	P1	RELEASE DATE	2019/04/05	01:07:44
-----------------	----	--------------	------------	----------

9 8 7 6 5 4 3 2 1

FORMAT: master-ib-prod-A3
REVISION: 11
DATE: 2018/01/18