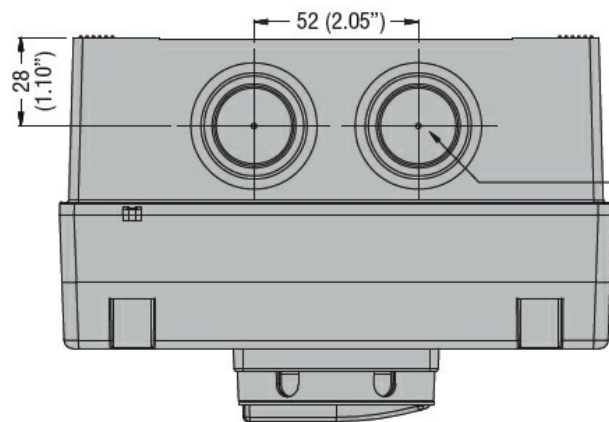
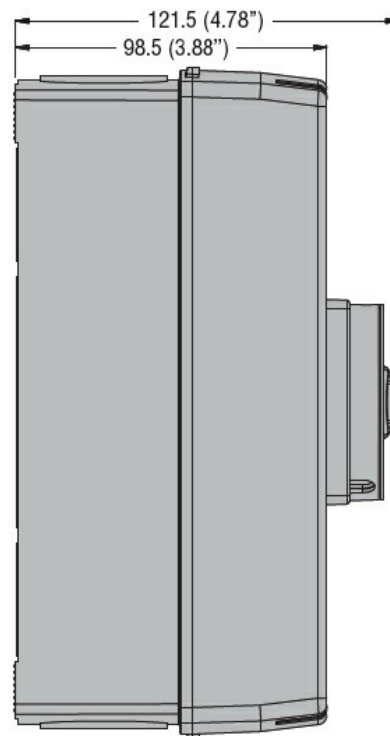
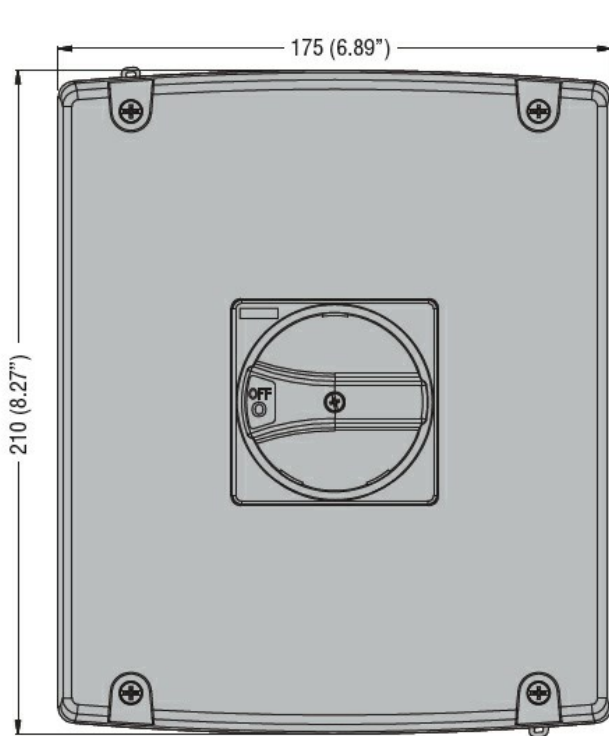


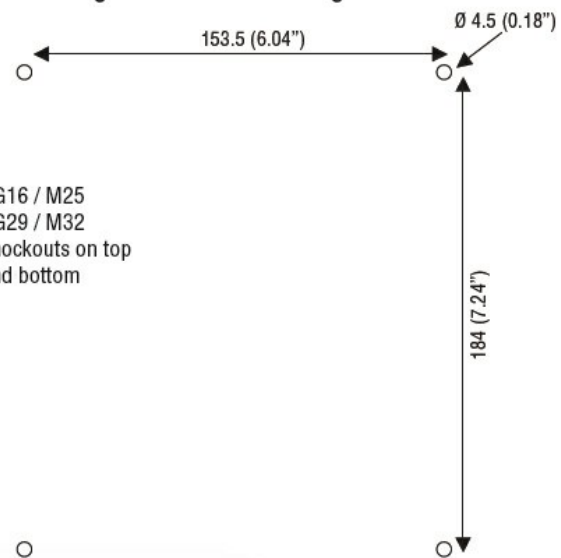


Product designation				Enclosed switch disconnecter
Product type designation				GAZ
Number of poles		Nr.		3
Operating voltage type				AC
Contact characteristics				
IEC Conventional free air thermal current Ith		A		100
Rated insulation voltage Ui IEC/EN		V		1000
Rated impulse withstand voltage Uimp		kV		8
Operating current Ie				
	AC21A			
		400V	A	100
		500V	A	100
		690V	A	100
	AC22A			
		400V	A	100
		500V	A	100
		690V	A	100
	AC23A			
		400V	A	100
		500V	A	80
		690V	A	47
Power dissipation per pole max			W	4
Rated operational power AC23A				
		400V	kW	55
		690V	kW	45
Conditional short-circuit current (rms)			kA	50
Short-circuit protection with fuse			Class/A	gG100
Making capacity AC23A 400V			A	1000
Breaking capacity AC23A 400V			A	800
Mechanical life			cycles	30000
Electrical life AC21A			cycles	30000
Mechanical features				
Operating position		normal allowable		Vertical plan Any
Terminals				
		type		Pillar
		width	mm	12.4
		height	mm	10.4
		screw		M8
		tool		Metric Allen key 4
Tightening torque for terminals				
		min	Nm	5
		max	Nm	6

	min	Ibin	45
	max	Ibin	54
<hr/>			
Conductor section			
	IEC min	mm ²	4
	IEC max	mm ²	70
	AWG/kcmil min		12
	AWG/kcmil max		1
<hr/>			
Ambient conditions			
Operating temperature			
	min	°C	-25
	max	°C	+55
<hr/>			
Storage temperature			
	min	°C	-40
	max	°C	+70
<hr/>			
Max altitude		m	3000
<hr/>			
Resistance & Protection			
Frontal IP degree			IP65
IP degree of protection			IP65
Pollution degree			3
<hr/>			
Dimensions			

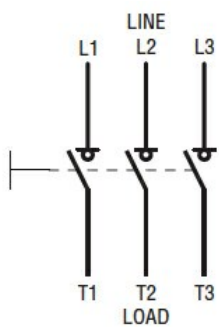


Drilling for surface fixing



PG16 / M25
PG29 / M32
knockouts on top
and bottom

Wiring diagrams



Certifications and compliance

Compliance

IEC/EN 60947-1
IEC/EN 60947-3

Certifications

EAC

ETIM classification

ETIM 8.0

EC000216 -
Switch
disconnecter