

Hand-Held and Remote

Order code	Manufacturer code	Description
30-3225	PP46N BLACK	SMALL SGL BUTTON KEYFOB CASE
30-3230	PP22N BLUE	1 BUTTON KEYFOB CASE
30-3235	PP24N BLUE & RED	2 BUTTON KEYFOB CASE
30-3240	PP43N BLACK_ BLUE_ RED	3 BUTTON KEYFOB CASE

Hand-Held and Remote	Page 1 of 2
The enclosed information is believed to be correct, Information may change 'without notice' due to product improvement. Users should ensure that the product is suitable for their use. E. & O. E.	Revision A 04/07/2003

Keyfob Remote Control Cases

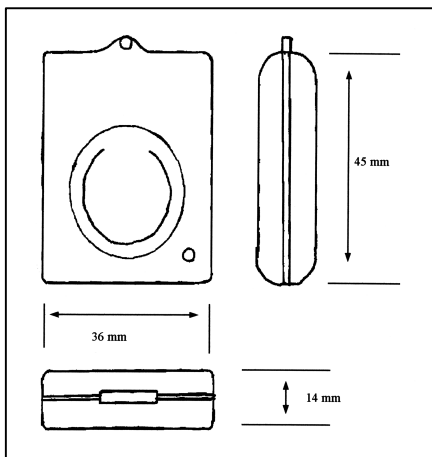
PP Series

A range of ABS enclosures for remote control applications with either 1, 2, 3 buttons. All enclosures come complete with battery compartment.

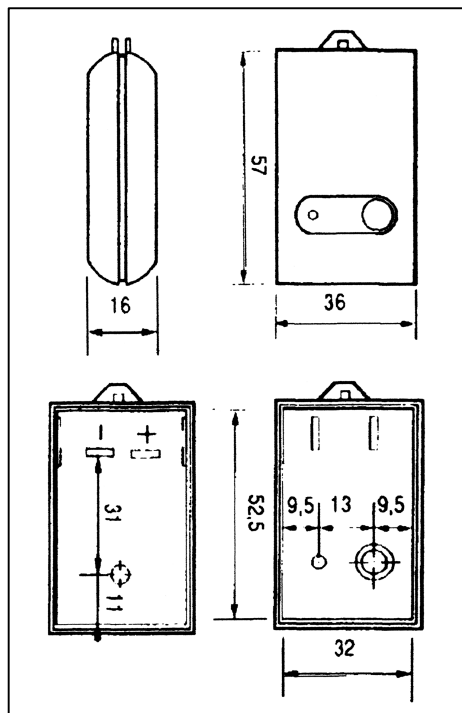
The PP models come complete with the battery terminals and fixing are supplied on all versions. The colour of buttons for these cases are either red, blue or black.

The battery terminals supplied for these enclosures accept - 1 x 12V - (18-0255).

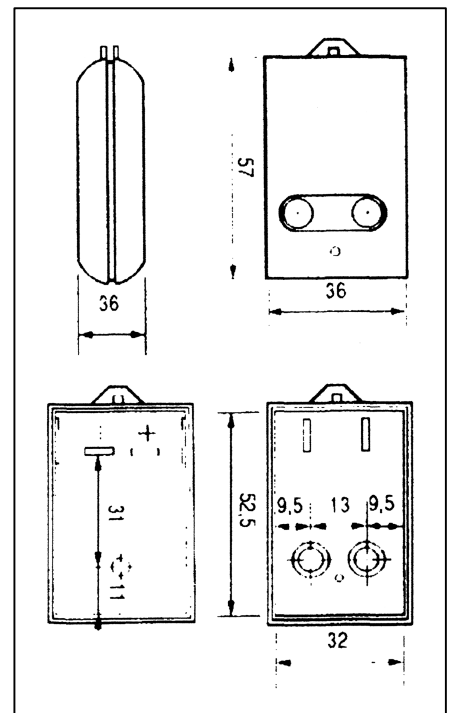
The cases are moulded in a textured black finish ABS, all dimensions are external and nominal, wall thickness 2mm



PP46N



PP22N



PP24N

Ref No.	Description	Dimensions (mm)			Number of Buttons	Battery Type
		L	W	H		
PP46N	Small Single Button	45	36	14	1	12V
PP22N	1 Button	56	36	16	1	12V
PP24N	2 Button	56	36	16	2	12V
PP43N	3 Button	56	36	16	3	12V