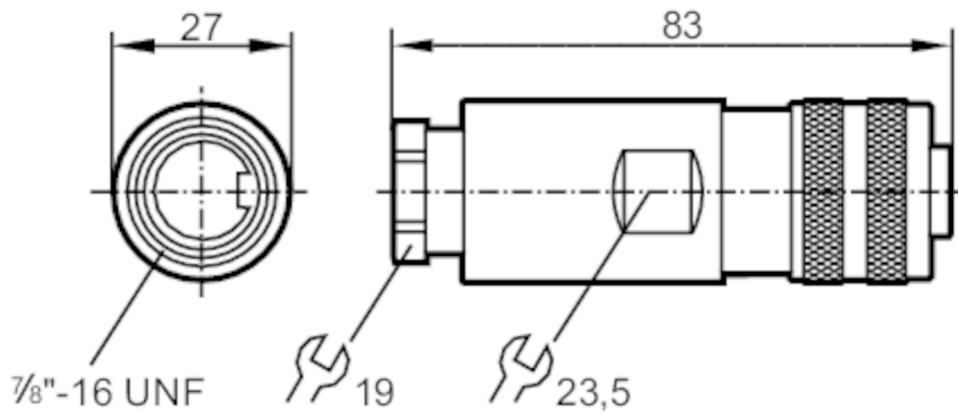


E70170



Wirable socket

SDOGB030MSSFKPG



Electrical data

Operating voltage	[V]	< 45 AC / < 70 DC
Max. current load total	[A]	12

Operating conditions

Ambient temperature	[°C]	-25...85
Protection		IP 67

Mechanical data

Weight	[g]	54.2
Dimensions	[mm]	27 x 27 x 83
Materials		PBT
Material nut		diecast zinc

Remarks

Pack quantity		1 pcs.
---------------	--	--------

Electrical connection

terminals: ...1.5 mm²; Cable sheath: Ø 8...10 mm

Electrical connection - socket

Connector: 1 x 7/8", straight; Moulded body: PBT; Locking: diecast zinc



E70170

Wirable socket

SDOGB030MSSFKPG



Connection

