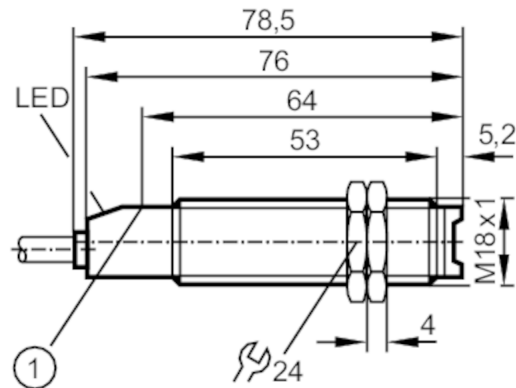




Diffuse reflection sensor

OGT-HBOA



1 pushbutton



Product characteristics

Type of light	infrared light
Housing	threaded type
Dimensions [mm]	M18 x 1 / L = 78.5

Application

Function principle	Diffuse reflection sensor
--------------------	---------------------------

Electrical data

Frequency AC [Hz]	47...63
Operating voltage [V]	20...250 AC/DC
Protection class	II
Reverse polarity protection	no
Type of light	infrared light
Wave length [nm]	880

Outputs

Output function	light-on mode
Max. voltage drop switching output DC [V]	8
Max. voltage drop switching output AC [V]	8
Minimum load current [mA]	5
Max. leakage current [mA]	1.7
Permanent current rating of switching output AC [mA]	90; (180 (...40 °C))
Permanent current rating of switching output DC [mA]	90; (180 (...40 °C))
Short-time current rating of switching output [mA]	600; (20 ms / 0,5 Hz)
Switching frequency AC [Hz]	25
Switching frequency DC [Hz]	25
Short-circuit proof	no
Overload protection	no

OG0034



Diffuse reflection sensor

OGT-HBOA

Detection zone		
Range	[mm]	1...600; (white paper 200 x 200 mm 90% remission)
Max. light spot diameter	[mm]	169
Light spot dimensions refer to		at maximum range
Operating conditions		
Ambient temperature	[°C]	-25...80
Protection		IP 67
Tests / approvals		
EMC	EN 60947-5-2	
	EN 55011	class B
MTTF	[years]	338
Mechanical data		
Weight	[g]	121.3
Housing		threaded type
Dimensions	[mm]	M18 x 1 / L = 78.5
Thread designation		M18 x 1
Materials		PBT
Lens material		PMMA
Displays / operating elements		
Display	switching status	1 x LED, red
	function	1 x LED, red flashing light
Electrical connection		
Required protection		miniature fuse to IEC60127-2 sheet 1; ≤ 2 A; fast acting
Accessories		
Accessories (supplied)		lock nuts: 2 x
Remarks		
Remarks		Recommendation: Check the safe functioning of the unit after a short circuit.
Pack quantity		1 pcs.

OG0034



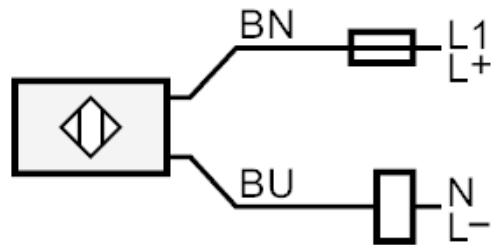
Diffuse reflection sensor

OGT-HBOA

Electrical connection

Cable: 2 m, PVC; 2 x 0.5 mm²

Connection



Note : miniature fuse to IEC60127-2 sheet 1 \leq 2 A fast acting

Core colours :

BN = brown

BU = blue



Diffuse reflection sensor

OGT-HBOA

Diagrams and graphs

excess gain graph

