



LENGTH-ADJUSTABLE TWIST LEVER FOR  
POSITION SWITCH 3SE51/52 METAL LEVER 100MM  
LONG PLASTIC ROLLER 30MM

Product designation		actuator for part-turn actuator
<b>Manufacturer article number</b>		
<ul style="list-style-type: none"> <li>of the supplied operating lever</li> </ul>		<a href="#">3SE5000-0AA55</a>

#### General technical data:

<b>Product function</b>		
<ul style="list-style-type: none"> <li>positive opening</li> </ul>		No
<b>Shock resistance</b>		30g / 11 ms
<b>Vibration resistance</b>		0.35 mm / 5g
<b>Mechanical service life (switching cycles)</b>		
<ul style="list-style-type: none"> <li>typical</li> </ul>		15 000 000
<b>Equipment marking</b>		
<ul style="list-style-type: none"> <li>acc. to DIN EN 61346-2</li> </ul>		T
<ul style="list-style-type: none"> <li>acc. to DIN EN 81346-2</li> </ul>		T
<b>Active principle</b>		mechanical
Explosion protection category for dust		none
Explosion protection category for gas		none

#### Enclosure:

<b>Coating of the enclosure</b>		Other types
---------------------------------	--	-------------

#### Drive Head:

<b>Design of the operating mechanism</b>		Metal lever adjustable length, plastic roller 30 mm
<b>Shape of the switch head</b>		roller
<b>Outer diameter of the switch head</b>	mm	30

#### Communication/ Protocol:

<b>Design of the interface</b>		without
--------------------------------	--	---------

### Ambient conditions:




#### Ambient temperature

- |                    |    |             |
|--------------------|----|-------------|
| • during operation | °C | -25 ... +85 |
| • during storage   | °C | -40 ... +90 |

### Installation/ mounting/ dimensions:

mounting position	any
Mounting type	screw fixing

### Certificates/ approvals:

General Product Approval	Declaration of Conformity	Test Certificates	other		
 CSA	 UL		 EG-Konf.	<a href="#">Special Test Certificate</a>	<a href="#">Confirmation</a>

### Further information

#### Information- and Downloadcenter (Catalogs, Brochures,...)

<http://www.siemens.com/industrial-controls/catalogs>

#### Industry Mall (Online ordering system)

<http://www.siemens.com/industrymall>

#### Cax online generator

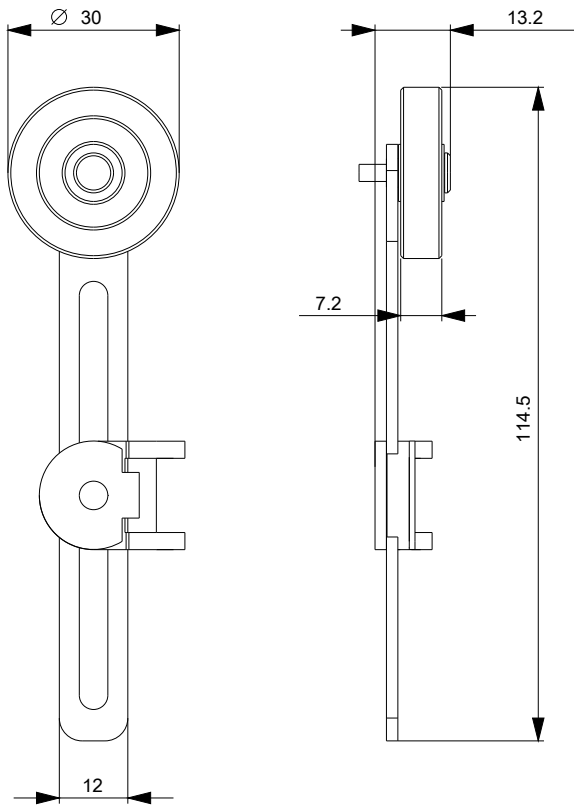
<http://support.automation.siemens.com/WW/CAXorder/default.aspx?lang=en&mlfb=3SE5000AA55>

#### Service&Support (Manuals, Certificates, Characteristics, FAQs,...)

<http://support.automation.siemens.com/WW/view/en/3SE5000AA55/all>

#### Image database (product images, 2D dimension drawings, 3D models, device circuit diagrams, EPLAN macros, ...)

[http://www.automation.siemens.com/bilddb/cax\\_de.aspx?mlfb=3SE5000AA55&lang=en](http://www.automation.siemens.com/bilddb/cax_de.aspx?mlfb=3SE5000AA55&lang=en)



last modified:

16.03.2015