



### Features:

- Universal input
- Small Compact Design
- 1 Year Warranty
- Efficiency Level VI
- UL,CUL,CB,CE,RCM,GS Approved



SPECIFICATION			
Part Number	T5864ST	T5865ST	T5893ST
Rated Input Voltage	100-240V	100-240V	100-240V
Vibration Input Voltage Range	90-264V	90-264V	90-264V
Frequency Rated	50-60Hz	50-60Hz	50-60Hz
Frequency Vibration	47-63Hz	47-63Hz	47-63Hz
Leakage Current	<3.5mA	<3.5mA	<3.5mA
Average Efficiency	87.66% Min	87.66% Min	87.61% Min
Output Voltage	12VDC	12VDC	24VDC
Nominal Current	3.5A	3.5A	1.7A
Nominal Power	42W	42W	40W
Line and Load regulation	+/-5%	+/-5%	+/-5%
Over Voltage Protection	21VDC	21VDC	<32A
Over Load Protection	6A output load	6A output load	<2.8A output load
Short Circuit Protection	No Damage	No Damage	No Damage
Ripple Voltage	150 mV (p-p) (100V-240V AC Input )	150 mV (p-p) (100V-240V AC Input )	200 mV (p-p) (100V-240V AC Input )
Hi-Pot	1500Vac or 2121VDC 10mA 1 min	1500Vac or 2121VDC 10mA 1 min	1500Vac or 2121VDC 10mA 1 min
Safety Approved	UL,TUV,SAA,PSE,CCC,FCC,CE,RCM	UL,TUV,SAA,PSE,CCC,FCC,CE,RCM	UL,CUL,FCC,GS,RCM
Environment Standard	RoHS	RoHS	RoHS
AC Plug	IEC320/C14 Type	IEC320/C14 Type	IEC320/C14 Type
Size	(L)118.5 x (W)48.5 x (H)35 mm	(L)118.5 x (W)48.5 x (H)35 mm	(L)111 x (W)52 x (H)32.3 mm
Operating Temperature	0 to 40°C	0 to 40°C	0 to 40°C
Storage Temperature	-20 to 80°C	-20 to 80°C	-10 to 70°C
Operating Humidity	20% to 85%	20% to 85%	20% to 80%
Storage Humidity	5% to 95%	5% to 95%	10% to 90%
DC Connector	Straight 2.1 C+	R/A 2.1 C+	R/A 2.1 C+

## Stadium Stontronics Ltd

Chancerygate Business Centre, Cradock Road, Reading, Berkshire, RG2 0AH.

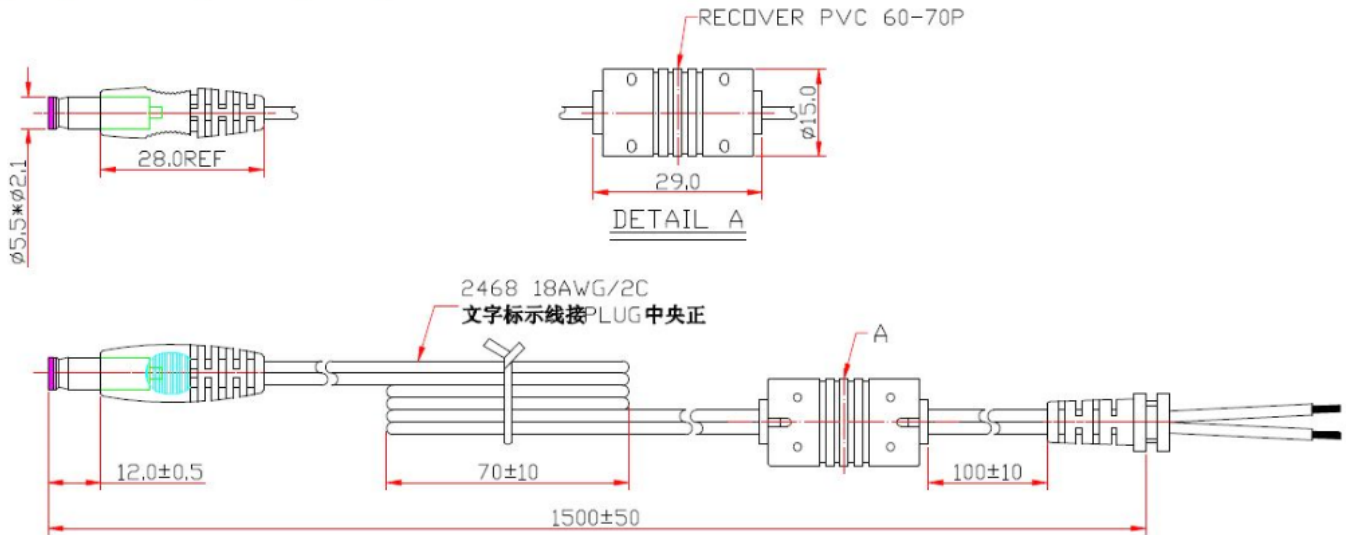
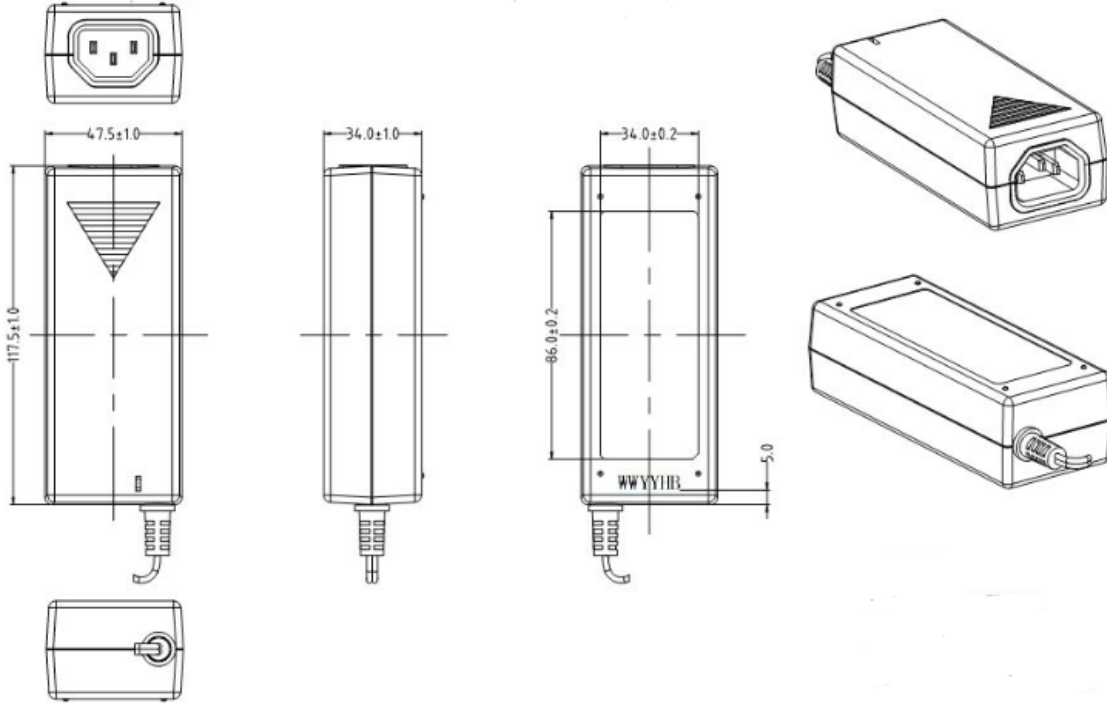
Tel: +44 (0) 118 931 1199 • Fax: +44 (0) 118 931 1145 • Email: Sales@stontronics.co.uk • Web: www.stontronics.com

Please Note: Image shown is representative of entire range. Individual PSU image &/or drawings or data sheets available on request.

Stontronics Ltd accepts no responsibility for typographical errors in the production of this leaflet. Product specifications are subject to change without notice.



### T5864ST



## Stadium Stontronics Ltd

Chancerygate Business Centre, Cradock Road, Reading, Berkshire, RG2 0AH.

Tel: +44 (0) 118 931 1199 • Fax: +44 (0) 118 931 1145 • Email: Sales@stontronics.co.uk • Web: www.stontronics.com

Please Note: Image shown is representative of entire range. Individual PSU image &/or drawings or data sheets available on request.

Stontronics Ltd accepts no responsibility for typographical errors in the production of this leaflet. Product specifications are subject to change without notice.

