

## Part Number: STAS 3 N grey

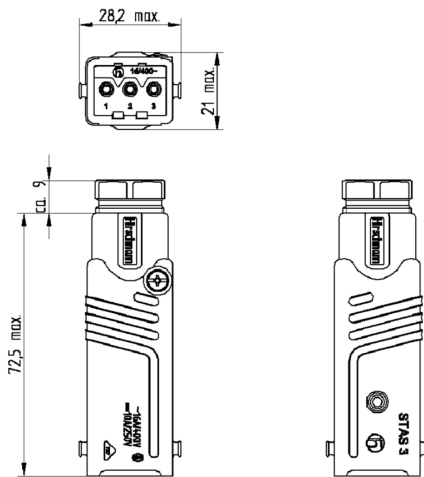


Rectangular Field Attachable Power Connector (ST Series): Male, straight with strain relief , 3-pin+PE, grey housing, 400 V AC/230 V DC, 16 A AC/10 A DC

### Product Description

Rectangular Field Attachable Power Connector (ST Series): Male, straight with strain relief , 3-pin+PE, grey housing, 400 V AC/230 V DC, 16 A AC/10 A DC

### Technical Drawing



### Technical Specifications

#### Technical Data

Product Family:	Power Connector
Product Sub Family:	ST-Series
Brand:	Hirschmann
Connector Type:	Field attachable
Type of Contact / Gender:	male
Connector Design:	Straight with strain relief
Number of Pins:	3+PE
Shielding:	Unshielded
Attachment Type:	safety bracket
Rated Voltage:	400 V AC / 250 V DC
Rated Impulse Voltage:	2.5 / 4.0 kV
Operating Voltage:	400 V AC / 230 V DC
Rated Current:	16 A AC / 10 A DC
Contact Resistance:	≤ 10 mOhm
Mating Cycles:	max. 50
Type of Connection:	screw terminal

Cable Gland:	PG 11
Conductor Cross Section:	0.25 mm <sup>2</sup> to 1.50 mm <sup>2</sup>
Strain-Relief:	Cable clamp
Suitable Cables:	Ø6 mm to Ø10 mm
Ambient Temperature (Operation):	-30°C to +90°C, notice Derating
Protection Degree / IP Rating:	IP54
Design Standard:	DIN EN 61984 (VDE 0627)
Pollution Degree:	3 acc. to DIN EN 60664-1 (VDE 0110-1)
Clearance / Creepage Distance:	DIN EN 60664-1 (2008/01); VDE 0110-1

## Materials

Contact Base Material:	CuZn
Contact Plating:	Cu/Sn
Contact Bearer Material:	PA 66 GF
Contact Bearer Color:	black
Flammability Class (Contact Bearer):	UL 94 V-0
Housing Material:	PA 6 GF
Housing Color:	grey
Flammability Class (Housing):	UL 94 HB
Cable Gland Material:	PA 6 GF
Cable Gland Gasket:	SBR /NBR (cable gland)
Cable Gland Color:	grey
Flammability Class (Cable Gland):	UL 94 V-0
Strain-Relief Material:	PA GF

## Additional Technical Data

Fastening Torque (Contact Screw):	M 3: (30-40) Ncm
Fastening Torque (Cable Gland):	PG 11: (250-375) Ncm
Fastening torque (strain relief screw):	BZ 2.9x14: (40-50) Ncm
Fastening Torque (Attachment):	BZ 2.9x14: (40-50) Ncm
Accessories to Order Separately:	STASI 3, 732-045-..., safety bracket

## Approvals

UL-File:	E95522
UL:	UL
VDE:	VDE 61984
SEV:	SEV

## Notes

Protection Degree / IP Rating Note:	* only if mounted and locked in combination with Hirschmann / Lumberg connector.
Note Derating:	* Notice derating
Note:	Do not connect or disconnect under load.

## Variants

Item #	Item Description
932143106	STAS 3 N grey

© 2018 Belden, Inc

All Rights Reserved.

Although Belden makes every reasonable effort to ensure their accuracy at the time of this publication, information and specifications described here in are subject to error or omission and to change without notice, and the listing of such information and specifications does not ensure product availability.

Belden provides the information and specifications herein on an "ASIS" basis, with no representations or warranties, whether express, statutory or implied. In no event will Belden be liable for any damages (including consequential, indirect, incidental, special, punitive, or exemplary damages) whatsoever, even if Belden has been advised of the possibility of such damages, whether in an action under contract, negligence or any other theory, arising out of or in connection with the use, or inability to use, the information or specifications described herein.

All sales of Belden products are subject to Belden's standard terms and conditions of sale.

Belden believes this product to be in compliance with all applicable environmental programs as listed in the data sheet. The information provided is correct to the best of Belden's knowledge, information and belief at the date of its publication. This information is designed only as a general guide for the safe handling, storage, and any other operation of the product itself or the one that it becomes a part of. The Product Disclosure is not to be considered a warranty or quality specification. Regulatory information is for guidance purposes only. Product users are responsible for determining the applicability of legislation and regulations based on their individual usage of the product.