

### Key features:

- ❑ IP67 Ingress protection
- ❑ Momentary contact
- ❑ Anti-rotational mounting
- ❑ 20J Impact rating
- ❑ RoHS Compliant



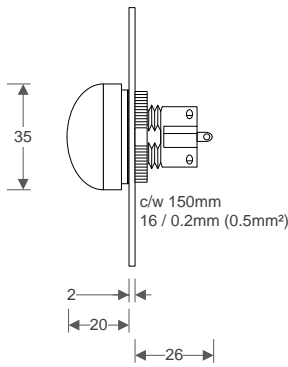
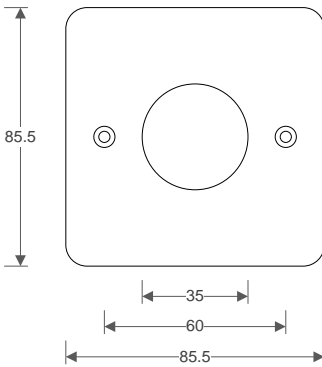
SR09743  
DEF-0657-1DR



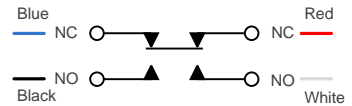
SR09732  
DEF-0657-1PTE

**IMPORTANT: This product is for use in 12Vdc and 24Vdc applications only and should only be installed by a qualified person**

### Dimensions (mm) & Circuit:



### Form Z



### Specification:

#### Mechanical:

Travel ——— 2.5mm  
 Life (nom) ——— 2 x 10<sup>6</sup> cycles  
 Operating force — 7N  
 Contact bounce — 5ms  
 Panel ——— 2mm G304 ST/ST

#### Electrical:

Dielectric strength — 1000V  
 Insulation resistance — 1GΩ  
 Contact resistance — 25mΩ (initial)  
 Current rating ——— 2A max @12-24Vdc  
 Life ——— 100,000 cycles 20°C

#### Environmental & Physical:

Ingress protection — IP67  
 Impact rating ——— 20J  
 Shock ——— 50g  
 Operating temp. — -40°C to +125°C \*  
 Body / actuator — Zinc alloy  
 Terminal material — Tin plate nickel

### Ordering information:

SR09743 Green dome push button, 1 gang, SSS, DOOR RELEASE  
 SR09732 Green dome push button, 1 gang, SSS, PRESS TO EXIT



Online: [cpc.co.uk](http://cpc.co.uk)  
 Telephone: 08447 88 00 88  
 Fax: 08447 88 00 89