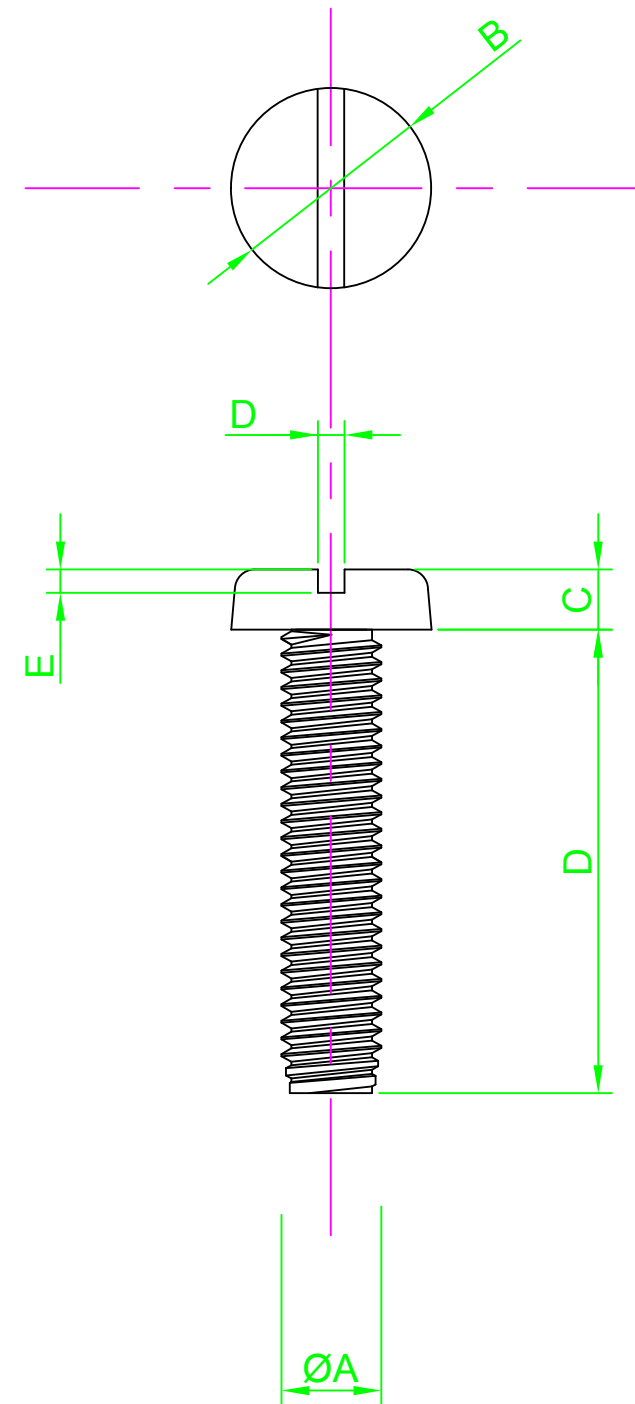


DO NOT SCALE DRAWING

REVISION

A	INITIAL DRAWING 21.9.15
B	M3.5 x 20 ADDED 02.11.17 DW

Part Number	ØA	B Nom	C Max	D Nom	E Min	F Length
M2 6 PSSTMC Z100	M2-0.4	4.0	1.3	0.5	0.5	6.0
M2 12 PSSTMC Z100						12.0
M2.5 6 PSSTMC Z100	M2.5-0.45	5.0	1.5	0.6	0.6	6.0
M2.5 10 PSSTMC Z100						10.0
M2.5 12 PSSTMC Z100						12.0
M2.5 20 PSSTMC Z100						20.0
M3 6 PSSTMC Z100	M3-0.5	6.0	1.8	0.8	0.7	6.0
M3 10 PSSTMC Z100						10.0
M3 12 PSSTMC Z100						12.0
M3 16 PSSTMC Z100						16.0
M3 20 PSSTMC Z100						20.0
M3 25 PSSTMC Z100	25.0					
M3.5 6 PSSTMC Z100	M3.5-0.6	7.0	2.1	1.0	0.8	6.0
M3.5 12 PSSTMC Z100						12.0
M3.5 20 PSSTMC Z100						20.0
M4 6 PSSTMC Z100	M4-0.7	8.0	2.4	1.2	1.0	6.0
M4 10 PSSTMC Z100						10.0
M4 12 PSSTMC Z100						12.0
M4 16 PSSTMC Z100						16.0
M4 20 PSSTMC Z100						20.0
M4 25 PSSTMC Z100						25.0
M4 30 PSSTMC Z100						30.0
M4 40 PSSTMC Z100						40.0
M4 50 PSSTMC Z100	50.0					
M5 6 PSSTMC Z100	M5-0.8	10.0	5.7	1.2	1.2	6.0
M5 8 PSSTMC Z100						8.0
M5 10 PSSTMC Z100						10.0
M5 12 PSSTMC Z100						12.0
M5 16 PSSTMC Z100						16.0
M5 20 PSSTMC Z100						20.0
M5 25 PSSTMC Z100						25.0
M5 40 PSSTMC Z100						40.0
M5 50 PSSTMC Z100	50.0					
M6 10 PSSTMC Z100	M6-1.0	12.0	3.6	1.6	1.4	10.0
M6 12 PSSTMC Z100						12.0
M6 16 PSSTMC Z100						16.0
M6 20 PSSTMC Z100						20.0
M6 25 PSSTMC Z100						25.0
M6 40 PSSTMC Z100						40.0
M6 50 PSSTMC Z100	50.0					



NOTES:
M2 & M2.5 Sizes not shown in DIN 85



UNLESS OTHERWISE SPECIFIED:
DIMENSIONS ARE IN MM (MILLIMETERS).
SURFACE FINISH:
TOLERANCES: DIN 85

MATERIAL:
Steel

TITLE:
Slotted Pan Head Machine Screw DIN 85

	NAME	DATE
DRAWN	Darryl Wilson	21.09.15
CHK'D		
APPVD		

HEAT TREATMENT:
N/A

DESIGN RIGHT. TR FASTENINGS LTD, 2003
UNDER NO CIRCUMSTANCES MUST THIS
DRAWING BE COPIED OR DISCLOSED
WITHOUT FIRST OBTAINING WRITTEN
AUTHORITY.

CUSTOMER PART NUMBER:
N/A

FINISH:
Commercial Zinc/Clear Cr3

DRAWING NUMBER:
TR32PSSTMCZ100

A4