

NOTES:

1. MATERIALS AND FINISHES:  
 BODY - BRASS, GOLD PLATING  
 CONTACT - BERYLLIUM COPPER, GOLD PLATING  
 INSULATOR - PTFE

2. ELECTRICAL:  
 A. IMPEDANCE: 75 OHM  
 B. FREQUENCY RANGE: DC-12 GHz  
 C. VSWR(RETURN LOSS): 1.22 (20 dB) MAX. @ DC - 6 GHz  
 1.43 (15 dB) MAX. @ 6 - 12 GHz  
 D. DIELECTRIC WITHSTANDING VOLTAGE: 500 VRMS, MIN.

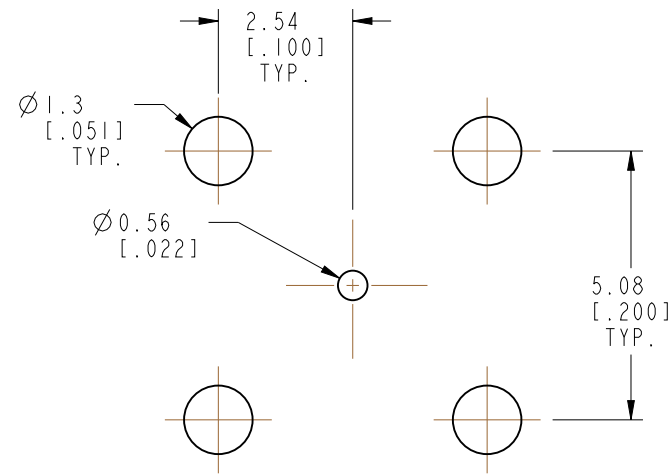
3. MECHANICAL:  
 A. DURABILITY: 500 CYCLES MIN.  
 B. TEMPERATURE RANGE: -65°C TO +165°C

4. PACKAGING:  
 A. QUANTITY: SINGLE PACK  
 B. MARKING: PACKAGING TO BE MARKED  
 "AMPHENOL RF, 919-415J-71PI2G, AND DATE CODE"

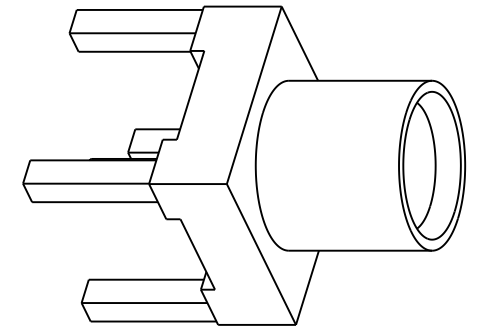
THIRD ANGLE PROJ.

REVISIONS

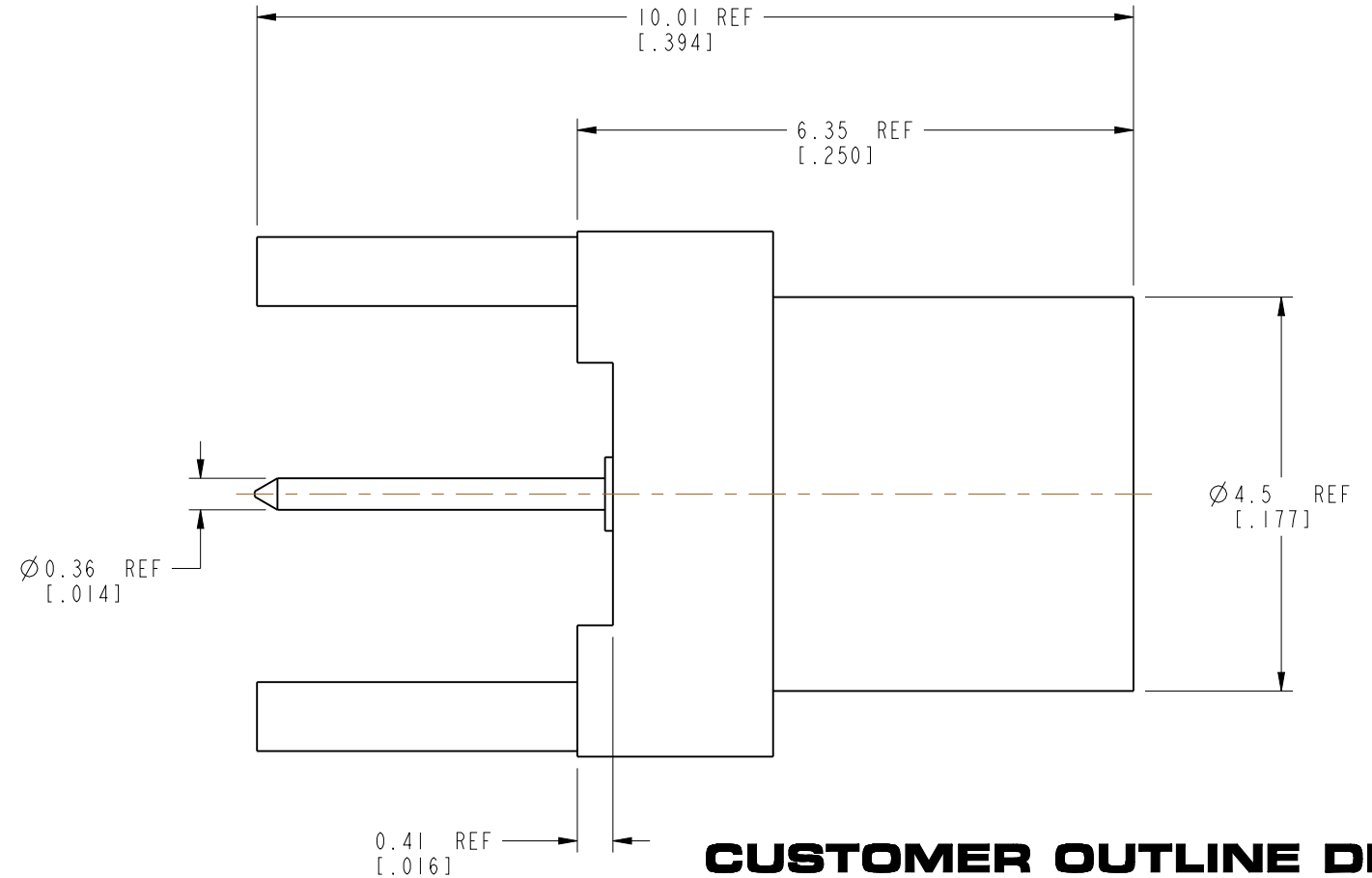
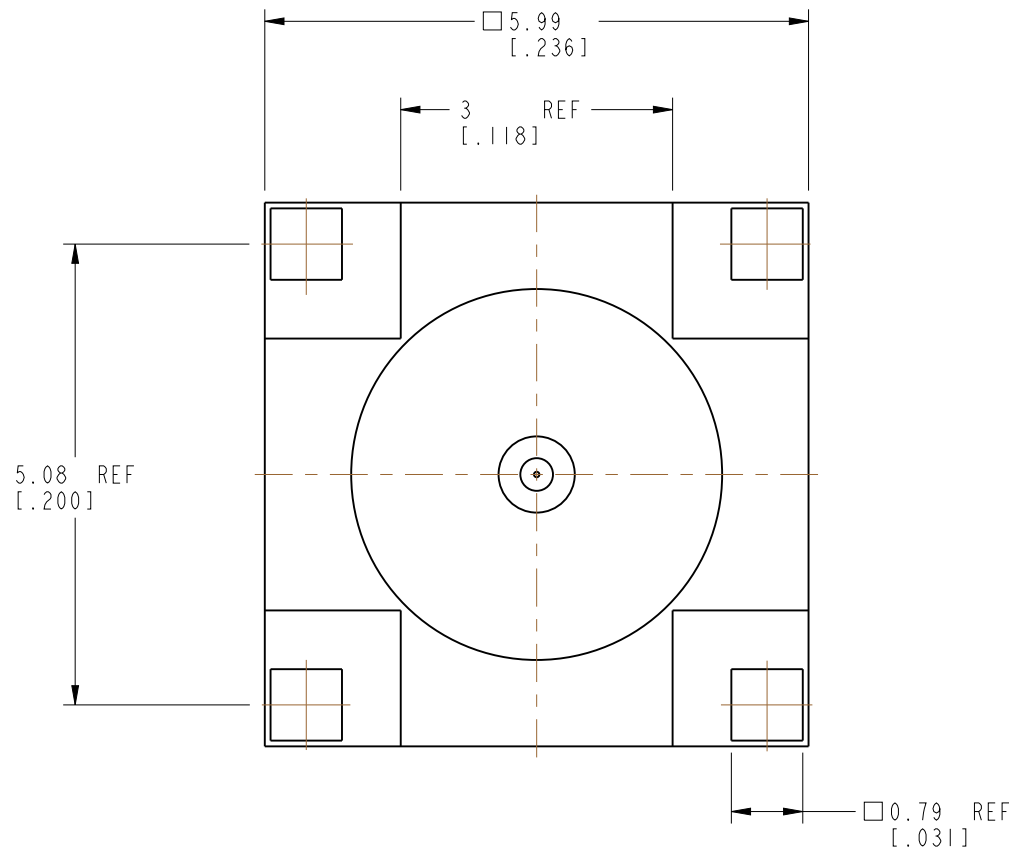
REV	DESCRIPTION	DATE	ECN	APPR
A	RELEASE TO MFG.	20-Jun-19	11942	EH



RECOMMENDED MOUNTING HOLE DIMENSIONS



SCALE 5.000



**CUSTOMER OUTLINE DRAWING**  
 ALL OTHER SHEETS ARE FOR INTERNAL USE ONLY

UNLESS OTHERWISE SPECIFIED, DIMENSIONS ARE IN METRIC AND TOLERANCES ARE: <0.5mm ±0.05mm    0.5 - 6mm ±0.1mm    6 - 30mm ±0.2mm    30 - 120mm ±0.3mm    ANGLES ±1°	MATERIAL NOTE 1	DRAWN E. HILL	DATE 11-Feb-19	TITLE 75 OHM MCX PCB JACK, THROUGH HOLE	Amphenol RF www.amphenolrf.com
	REFERENCE EAR# 8605 REF: 919-124J-71P	ENGINEER E. HILL	DATE 11-Feb-19		
NOTICE - These drawings, specifications, or other data (1) are, and remain the property of Amphenol corp. (2) must be returned upon request; and (3) are confidential and not to be disclosed to any person other than those to whom they are given by Amphenol Corp. the furnishing of these drawings, specifications, or other data by Amphenol Corp., or to any other person to anyone for any purpose is not to be regarded by implication or otherwise in any manner licensing, granting rights to permitting such holder or any other person to manufacture, use or sell any product, process or design, patented or otherwise, that may in any way be related to or disclosed by said drawings, specifications, or other data.	CONFIGURATION LEVEL: In Work	CAD FILE	SCALE: 12.0:1.0 SHEET 2 OF 2		DRAWING NO. 919-415J-71PI2G
	FINISH	DWG SIZE B	REV A	ITEM NO. 919-415J-71PI2G	