

BNC Male Clamp Solder Plug

multicomp PRO

**RoHS
Compliant**

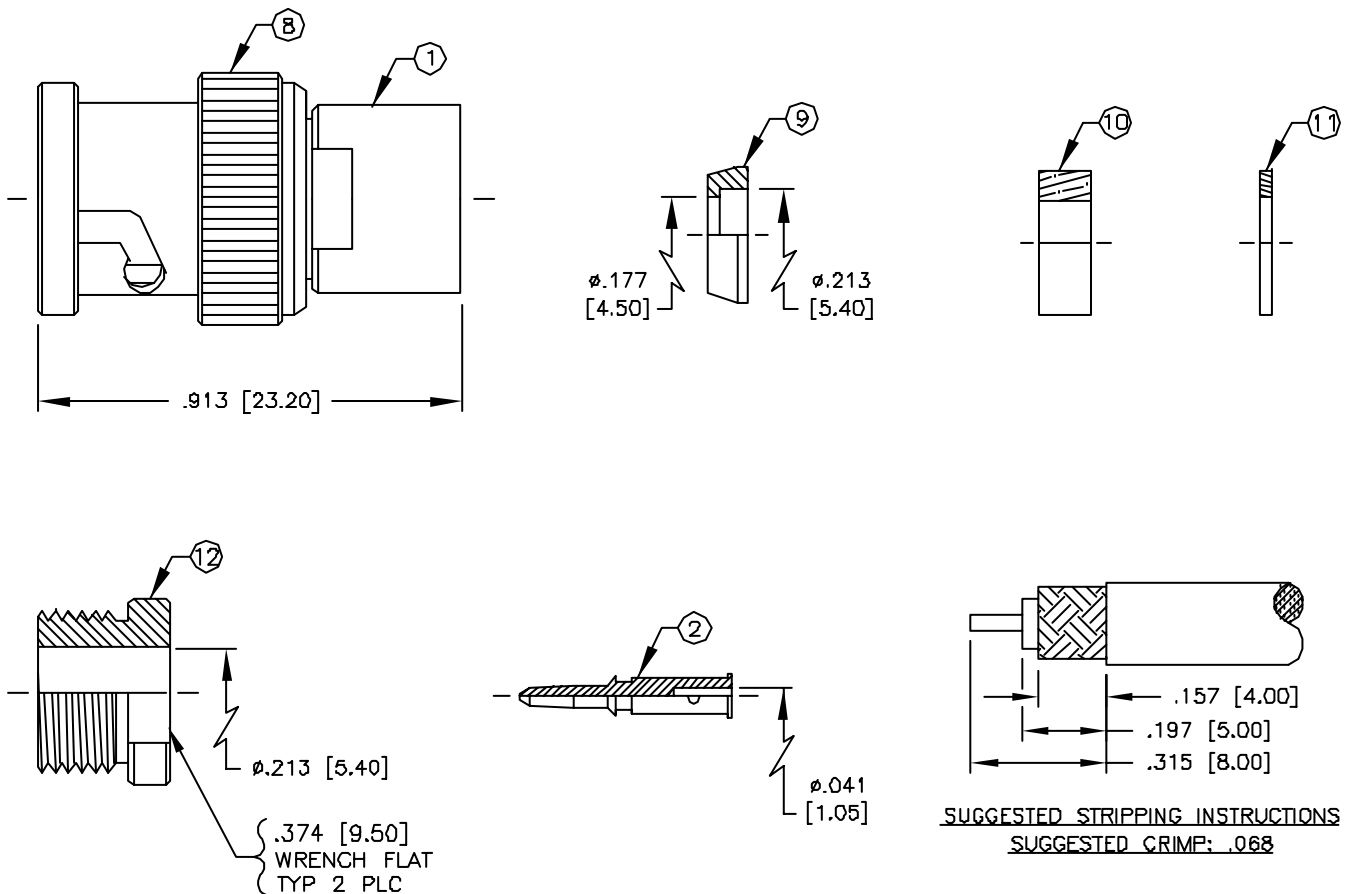


Specifications

Impedance	: 50Ω
Working Voltage	: 500VRMS @Sea Level
Frequency Range	: 0 - 4GHz
Insertion Loss	: ≤ -.2 dB @ 3GHz
VSWR Max	: 1.4:1 @ 3GHz

For RG-58, 58A, 141, 141A, 400/U, Belden 8240, 8259, 8262, 9501, 9203, 9310, 9311, COMM/Scope 0268 & Cushcraft Ultralink TL92463E

Diagram



Dimensions : Inches (Millimeters)

Newark.com/multicomp-pro
Farnell.com/multicomp-pro
Element14.com/multicomp-pro

multicomp PRO

BNC Male Clamp Solder Plug

multicomp PRO

Item	Description	Qty	Material	Finish
1	Body	1	Brass	Nickel
2	Pin	1	Brass	Gold
3	Dielectric	1	Delrin	None
4	Gasket	1	S.I. Rubber	Red
5	Split Lock Washer	1	Brass	Nickel
6	Spring	1	SK5	Nickel
7	Washer	1	Brass	Nickel
8	Shell	1	Brass	Nickel
9	Clamp	1	Brass	Nickel
10	Gasket	1	S.I. Rubber	Red
11	Washer	1	Brass	Nickel
12	Back Nut	1	Brass	Nickel

Part Number Table

Description	Part Number
BNC Male Clamp Solder Plug	1551

Important Notice : This data sheet and its contents (the "Information") belong to the members of the AVNET group of companies (the "Group") or are licensed to it. No licence is granted for the use of it other than for information purposes in connection with the products to which it relates. No licence of any intellectual property rights is granted. The Information is subject to change without notice and replaces all data sheets previously supplied. The Information supplied is believed to be accurate but the Group assumes no responsibility for its accuracy or completeness, any error in or omission from it or for any use made of it. Users of this data sheet should check for themselves the Information and the suitability of the products for their purpose and not make any assumptions based on information included or omitted. Liability for loss or damage resulting from any reliance on the Information or use of it (including liability resulting from negligence or where the Group was aware of the possibility of such loss or damage arising) is excluded. This will not operate to limit or restrict the Group's liability for death or personal injury resulting from its negligence. Multicomp Pro is the registered trademark of Premier Farnell Limited 2019.

Newark.com/multicomp-pro
Farnell.com/multicomp-pro
Element14.com/multicomp-pro

multicomp PRO