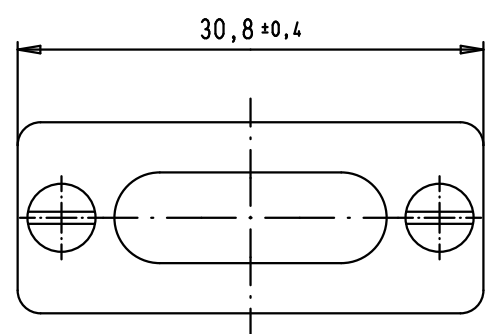
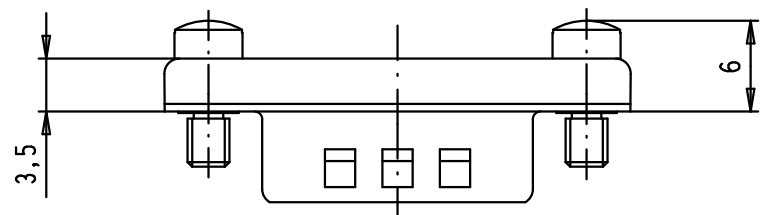
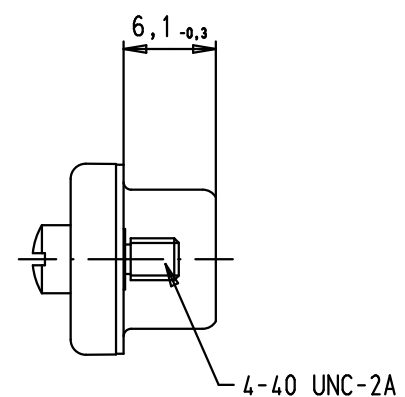
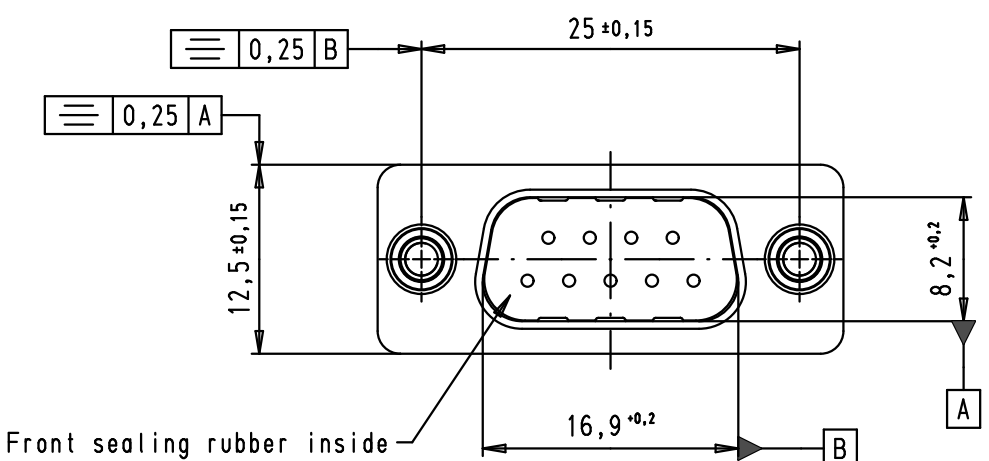
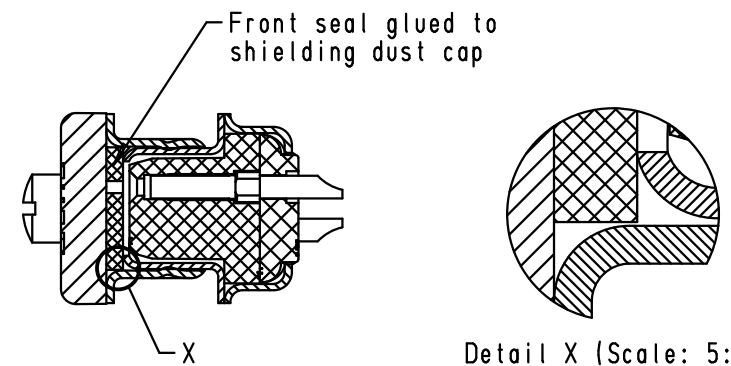
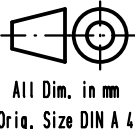



5 4 3 2 1



IP 67 shielding concept



| | | | | | | | | |
|-------|----------|------|-------------------------------|----------|------|--|---|-------------------|
| | | | | Dot. | Name |  <p>All Dim. in mm Orig. Size DIN A 4</p> | IP 67 male metal shielding cap, tin plated shell with dimples for 9 poles female D-Sub with screw locks | Maßstab/ Scale |
| | | | Detail. | 05/04/07 | PK | | | 2:1 |
| | | | Insp. | | | | | |
| | | | Stand. | | | | | |
| 34906 | 18/04/08 | PK | HARTING EURL F-95972 Paris | | |  | TB 09 67 002 9050 | Blatt/ Page |
| 33977 | 05/04/07 | PK | | | | | | 1 / 1 |
| Mod. | Dot. | Name | | | | | Sub. | |

D
C
B
A