




Product information MAB 6100 grau/grey

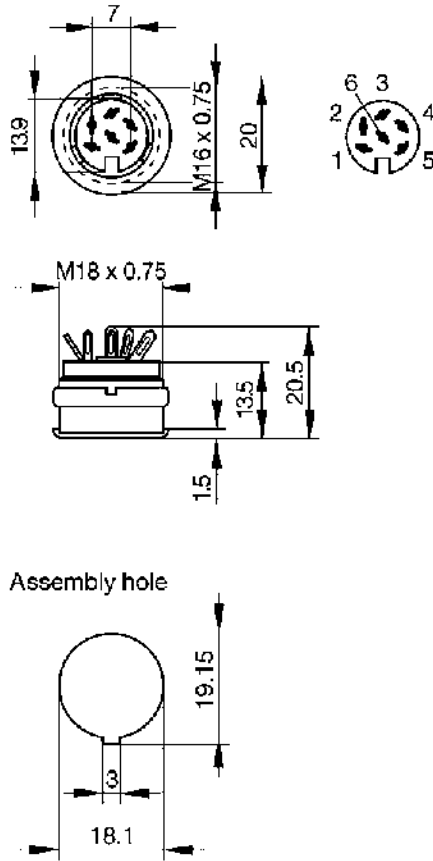
Industrial Connecting Solutions: Circular Connectors: Audio/Video Connectors: DIN EN 60 130-09 Connectors (MAS/MAK series): with locking screw: Panel-mounted sockets: MAB 6100 grau/grey

<http://www.e-catalog.beldensolutions.com/link/57078-24228-256281-256282-24384-24391-24392-34650/en/conf/uistate>

| | |
|---------------------------------|---|
| Name | MAB 6100 grau/grey |
| |  |
| | panel-mounted socket with locking screw; solder joint; not shielded |
| Delivery informations | |
| Availability | available |
| Product description | |
| Type | MAB 6100 grau/grey |
| Order No. | 930 954-517 |
| Type of contact | female |
| Colour | grey |
| Description | panel-mounted socket with locking screw; solder joint; not shielded |
| Number of contacts | 6 |
| Conductor size | $\leq 0.34 \text{ mm}^2$ |
| Technical data | |
| LF output "Phone" | EN 60 130-09 |
| Pole arrangement DIN | DIN 45 322 |
| Rated current | 4 A |
| Rated voltage | AC/DC 34 V |
| Type of termination | solder |
| Material | |
| Contact material (socket) | brass |
| Contact surface material | tin plated |
| Contact bearer material | PA 66/UL standard 94V-2 |
| Housing material | PE |
| Environmental conditions | |
| Protection class (IEC 60529) | IP 30 |
| Temperature range | -20 °C to +60 °C |

Industrial Connecting Solutions: Circular Connectors: Audio/Video Connectors: DIN EN 60 130-09 Connectors (MAS/MAK series): with locking screw: Panel-mounted sockets: MAB 6100 grau/grey
<http://www.e-catalog.beldensolutions.com/link/57078-24228-256281-256282-24384-24391-24392-34650/en/conf/uistate>

Picture
Drawing





HIRSCHMANN

A **BELDEN** BRAND

Belden Deutschland GmbH

Im Gewerbepark 2

58579 Schalksmühle

Germany

Phone: +49 7127/14-1806

E-Mail: icos-sales@belden.com

The information published in the websites has been compiled as carefully as possible. It is subject to alteration without notice in technical as well as in price-related/commercial respect. The complete information and data were available on user documentation. Mandatory information can only be obtained by a concrete query.