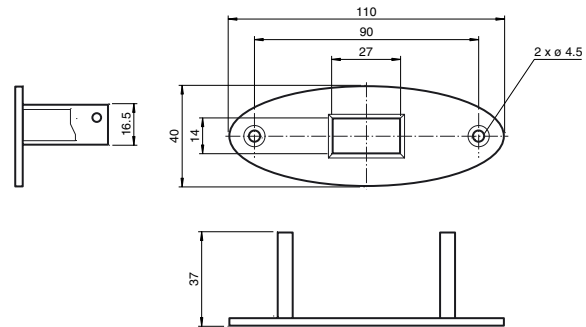




Dimensions



Model Number

Flush Mounting PIR20

Flush-mounted frame for sensors in the PIR20

Features

- Simple mounting

Technical data

General specifications

Setting angle 0 °

Mechanical specifications

Material ABS, black

Mass approx. 11 g

Dimensions 110 mm x 40 mm x 37 mm

Mounting Mounting accessories included

Suitable series

Series PIR20

Note



1. Insert the sensor into the brackets.
2. Use the provided screws (2.9 mm x 6.5 mm) for fixing the sensor.
3. Integrate the mounted sensor into the hole with dimensions 77 mm x 29 mm and fixing with provided screws.