



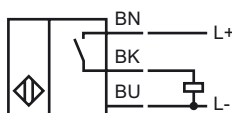
### Model Number

NJ1,5-F2-E2

### Features

- 1.5 mm with switching tappet
- 3-wire DC

### Connection



### Accessories

#### AS 12/80

Stop screw

#### AS 12/60

Stop screw

#### AS 08/15

Stop screw

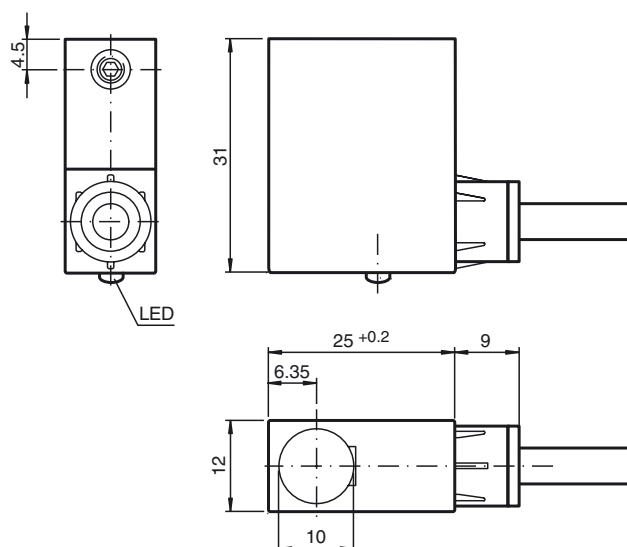
#### AS 08/40

Stop screw

#### AS 10/50

Stop screw

### Dimensions



### Technical Data

#### General specifications

Switching element function	PNP	NO
Rated operating distance	$s_n$	1.5 mm
Installation	embeddable	
Output polarity	DC	
Assured operating distance	$s_a$	0 ... 1.215 mm

#### Nominal ratings

Operating voltage	$U_B$	10 ... 30 V DC
Switching frequency	$f$	0 ... 1000 Hz
Reverse polarity protected	reverse polarity protected	
Short-circuit protection	pulsing	
Voltage drop	$U_d$	$\leq 3$ V
Operating current	$I_L$	0 ... 200 mA
No-load supply current	$I_0$	$\leq 15$ mA
Indication of the switching state	LED, red	

#### Ambient conditions

Ambient temperature	-25 ... 70 °C (-13 ... 158 °F)
---------------------	--------------------------------

#### Mechanical specifications

Connection type	cable PUR , 2 m
Core cross-section	0.34 mm <sup>2</sup>
Housing material	PA
Protection degree	IP67
Note	Use a stop screw combined with a model -F2 sensor from Pepperl+Fuchs GmbH. The maximum actuation speed of the control slide is 0.1 m/s

#### Compliance with standards and directives

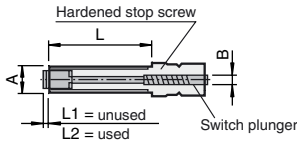
Standard conformity	
Standards	EN 60947-5-2:2007 IEC 60947-5-2:2007

#### Approvals and certificates

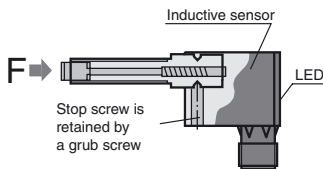
UL approval	cULus Listed, General Purpose
CSA approval	cCSAus Listed, General Purpose

The inductive proximity sensor with plug-in acknowledgement elements is designed for applications where the simple installation of an adjustable mechanical stop with electronic acknowledgement is required. Heavy duty fine threaded stop screws serve as finely adjustable end stops. The state of the acknowledgement element is indicated by the built-in LED on the proximity sensor.

Accessories:  
Stop screws (Acknowledgement elements)

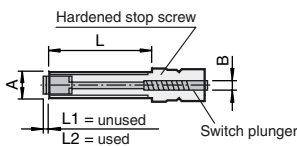


Type Coding	A	B	L	L1	L2	Load F max.
AS 08/15	M 8 x 1	6	15	3,5	2	2 000 N
AS 08/40	M 8 x 1	6	40	3,5	2	2 000 N
AS 10/50	M 10 x 1	7	50	2,5	1	9 500 N
AS 12/60	M 12 x 1	9	60	2	0,5	20 500 N
AS 12/80	M 12 x 1	9	80	2	0,5	20 500 N

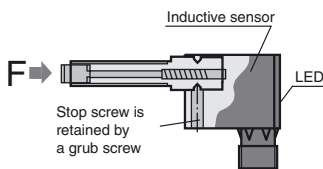


The inductive proximity sensor with plug-in acknowledgement elements is designed for applications where the simple installation of an adjustable mechanical stop with electronic acknowledgement is required. Heavy duty fine threaded stop screws serve as finely adjustable end stops. The state of the acknowledgement element is indicated by the built-in LED on the proximity sensor.

Accessories:  
Stop screws (Acknowledgement elements)



Type Coding	A	B	L	L1	L2	Load F max.
AS 08/15	M 8 x 1	6	15	3,5	2	2 000 N
AS 08/40	M 8 x 1	6	40	3,5	2	2 000 N
AS 10/50	M 10 x 1	7	50	2,5	1	9 500 N
AS 12/60	M 12 x 1	9	60	2	0,5	20 500 N
AS 12/80	M 12 x 1	9	80	2	0,5	20 500 N



Release date: 2011-07-22 15:51 Date of issue: 2011-07-22 086567\_eng.xml