

current transformer 60/1 A 1,2 VA CL 1.0

Model		
product brand name	SENTRON	
product designation	Current transformer	
design of the product	Bushing-type current transformers	
operating apparent power rated value	1.2 VA	
Protection class		
protection class IP	IP20	
Connections		
type of electrical connection at output	screw-type terminals	
Mechanical Design		
height	75 mm	
height of the opening	10 mm	
width	60 mm	
width of the push-through bus bar at 1 bus bar maximum	20 mm	
width of the push-through bus bar in case of 2 bus bars maximum	20 mm	
depth	55 mm	
fastening method	screw fixing	
diameter of inlet opening	19 mm	
outer diameter of the push-through conductor maximum	19 mm	
net weight	425 g	
Environmental conditions		
ambient temperature during operation		
• minimum	-30 °C	
• maximum	55 °C	
Certificates		
reference code according to EN 61346-2	T	
General Product Approval	Declaration of Conformity	other

[Confirmation](#)



[Miscellaneous](#)

[Confirmation](#)

Further information

Siemens has decided to exit the Russian market (see here).
<https://press.siemens.com/global/en/pressrelease/siemens-wind-down-russian-business>

Siemens is working on the renewal of the current EAC certificates.
 Please contact your local Siemens office on the status of validity of the EAC certification if you intend to import or offer to supply these products to an EAC relevant market (other than the sanctioned EAEU member states Russia or Belarus).

Information on the packaging
<https://support.industry.siemens.com/cs/ww/en/view/109813875>

Information- and Downloadcenter (Catalogs, Brochures,...)

<http://www.siemens.com/lowvoltage/catalogs>

Industry Mall (Online ordering system)

<https://mall.industry.siemens.com/mall/en/en/Catalog/product?mlfb=4NC5113-0CB21>

Service&Support (Manuals, Certificates, Characteristics, FAQs,...)

<https://support.industry.siemens.com/cs/ww/en/ps/4NC5113-0CB21>

Image database (product images, 2D dimension drawings, 3D models, device circuit diagrams, ...)

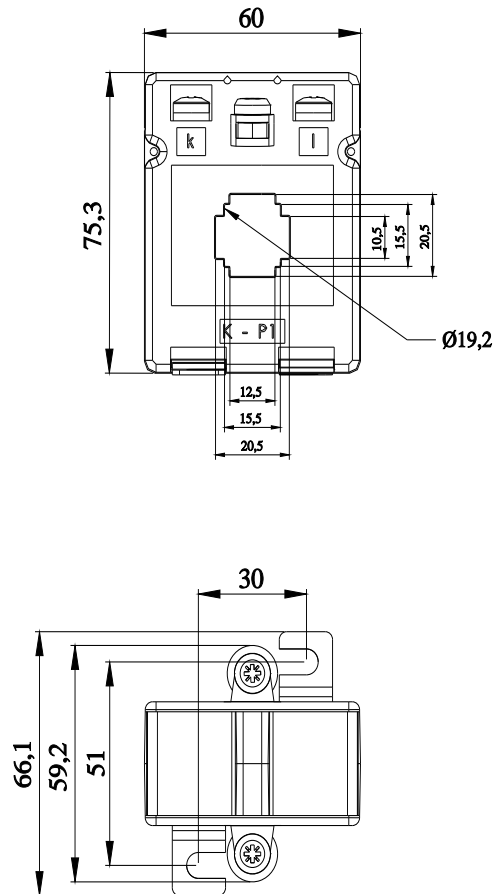
http://www.automation.siemens.com/bilddb/cax_en.aspx?mlfb=4NC5113-0CB21

CAX-Online-Generator

<http://www.siemens.com/cax>

Tender specifications

<http://www.siemens.com/specifications>



last modified:

12/20/2020 

