

10EJT8F ✓ ACTIVE

Corcom | Corcom EJT

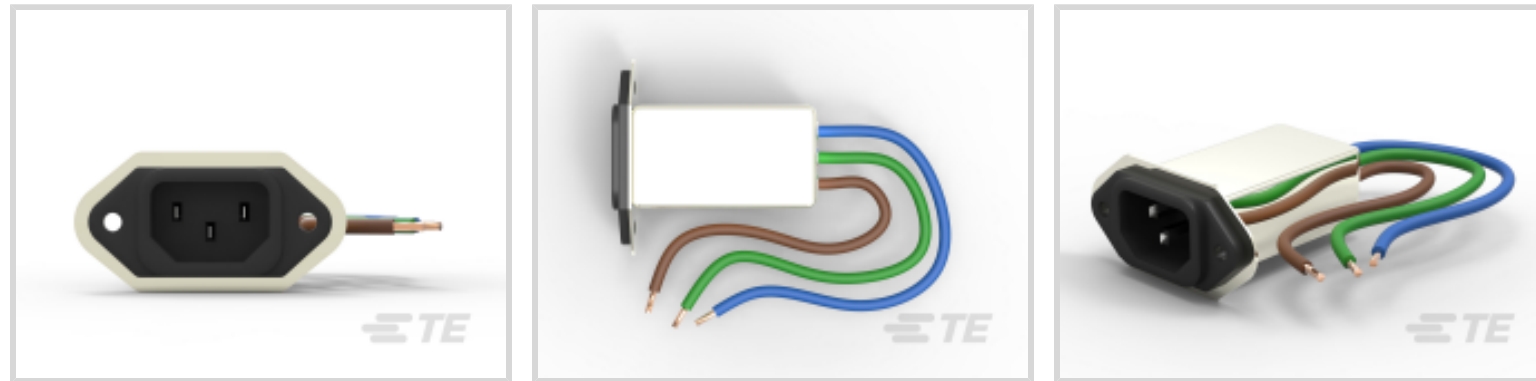
TE Internal #: 4-1609157-8

Corcom EJT, Multi-Function Inlet Filters, Power Line, Vertical, Leakage Current (Max) (120VAC, 60Hz) 250 μ A, 10A Filter Current Rating

[View on TE.com >](#)



EMI Filters > Multi-Function Inlet Filters > CORCOM EJT SERIES IEC FILTERED INLETS



Filter Type: **Power Line**

Mount Angle: **Vertical**

Leakage Current (Max) (120VAC, 60Hz): **250 μ A**

Filter Current Rating: **10 A**

Filter Mount Style: **Extended Flange**

[All CORCOM EJT SERIES IEC FILTERED INLETS \(22\)](#)

Features

Product Type Features

Ground Choke Option	No
Ground Option	None
Filter Type	Power Line
Filter Input Termination Type	IEC
Filter Output Termination Type	Wire Lead
Filtering Requirements	Filtered
Filter Connector Type	IEC 60320-1 C-14

Electrical Characteristics

Leakage Current (Max) (120VAC, 60Hz)	250 μ A
Filter Current Rating	10 A
Voltage Rating (Max)	250 VAC

Mechanical Attachment

Mount Angle	Vertical
Filter Mount Style	Extended Flange

Product Compliance

For compliance documentation, visit the product page on [TE.com](#)>

EU RoHS Directive 2011/65/EU	Compliant
EU ELV Directive 2000/53/EC	Compliant
China RoHS 2 Directive MIIT Order No 32, 2016	No Restricted Materials Above Threshold
EU REACH Regulation (EC) No. 1907/2006	Current ECHA Candidate List: JAN 2021 (211) Candidate List Declared Against: JUL 2019 (201) SVHC > Threshold: Not Yet Reviewed
Halogen Content	Not Low Halogen - contains Br or Cl > 900 ppm.
Solder Process Capability	Not applicable for solder process capability

Product Compliance Disclaimer

This information is provided based on reasonable inquiry of our suppliers and represents our current actual knowledge based on the information they provided. This information is subject to change. The part numbers that TE has identified as EU RoHS compliant have a maximum concentration of 0.1% by weight in homogenous materials for lead, hexavalent chromium, mercury, PBB, PBDE, DBP, BBP, DEHP, DIBP, and 0.01% for cadmium, or qualify for an exemption to these limits as defined in the Annexes of Directive 2011/65/EU (RoHS2). Finished electrical and electronic equipment products will be CE marked as required by Directive 2011/65/EU. Components may not be CE marked. Additionally, the part numbers that TE has identified as EU ELV compliant have a maximum concentration of 0.1% by weight in homogenous materials for lead, hexavalent chromium, and mercury, and 0.01% for cadmium, or qualify for an exemption to these limits as defined in the Annexes of Directive 2000/53/EC (ELV). Regarding the REACH Regulation, the information TE provides on SVHC in articles for this part number is based on the latest European Chemicals Agency (ECHA) 'Guidance on requirements for substances in articles' posted at this URL: <https://echa.europa.eu/guidance-documents/guidance-on-reach>

Compatible Parts

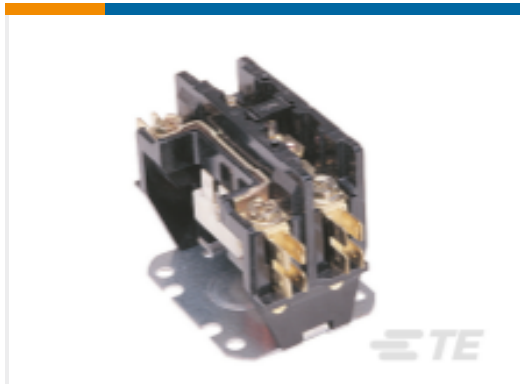
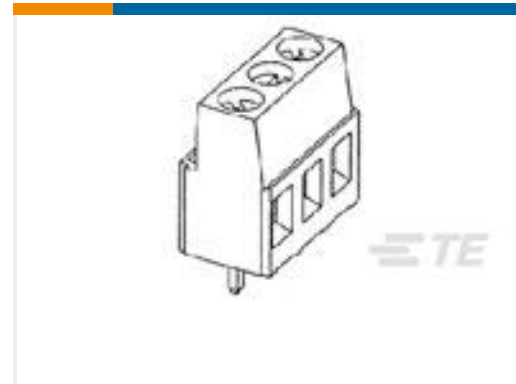


Also in the Series | [Corcom EJT](#)



Multi-Function Inlet Filters(22)

Customers Also Bought

TE Part #1672125-5
DP CONTACTORS, 1 POLETE Part #1-1879456-7
Wirewound Resistor: Mineral, 2.5 KwTE Part #1-282841-1
TERMI-BLOK PCB MOUNT 11P.5TE Part #1-2329389-1
PB OFF/ON FC YLW M1 TERM WHI
LED IP68 50TE Part #YDTS26F13-04SEV001
Straight Plug: D38999, 13-04 Insert,
Electroless Nickel PlatingTE Part #170823-4
250 FASTON SLEEVE, REC.,
TRANSPARENTTE Part #1-170823-3
187 FASTON SLEEVE, REC.,
TRANSPARENT, NATTE Part #2-456406-5
WIRE CRIMPER .090TE Part #2-1609998-3
KEV 42A 2S SP WYE BS 440VACTE Part #20004013-00
PRESS XDCR M325P-00000E-025BG

Documents

CAD Files

[3D PDF](#)

[3D](#)

Customer View Model

[ENG_CVM_CVM_4-1609157-8_B.2d_dxf.zip](#)

English

Customer View Model

[ENG_CVM_CVM_4-1609157-8_B.3d_igs.zip](#)



English

Customer View Model

[ENG_CVM_CVM_4-1609157-8_B.3d_stp.zip](#)

English

By downloading the CAD file I accept and agree to the [Terms and Conditions](#) of use.

Datasheets & Catalog Pages

[1654001_CORCOM_PRODUCT_GUIDE](#)

English

Corcom EJT Flanged Inlet Filter

English

Corcom Combined Selector Charts

English