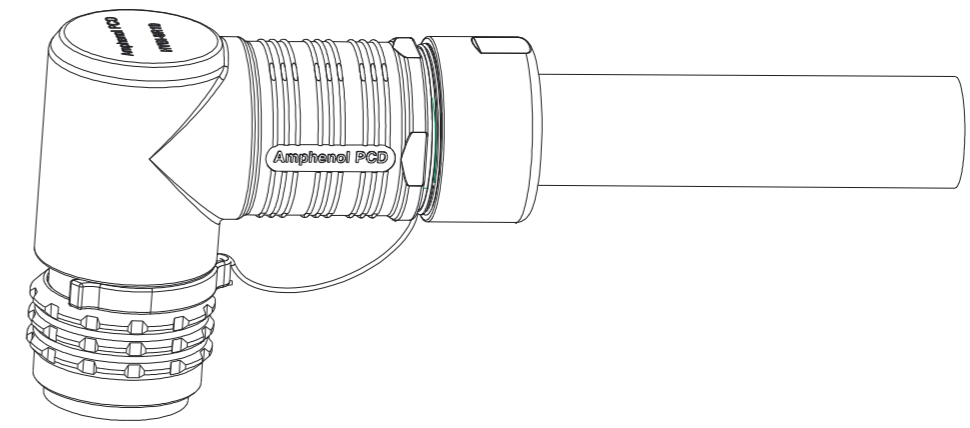
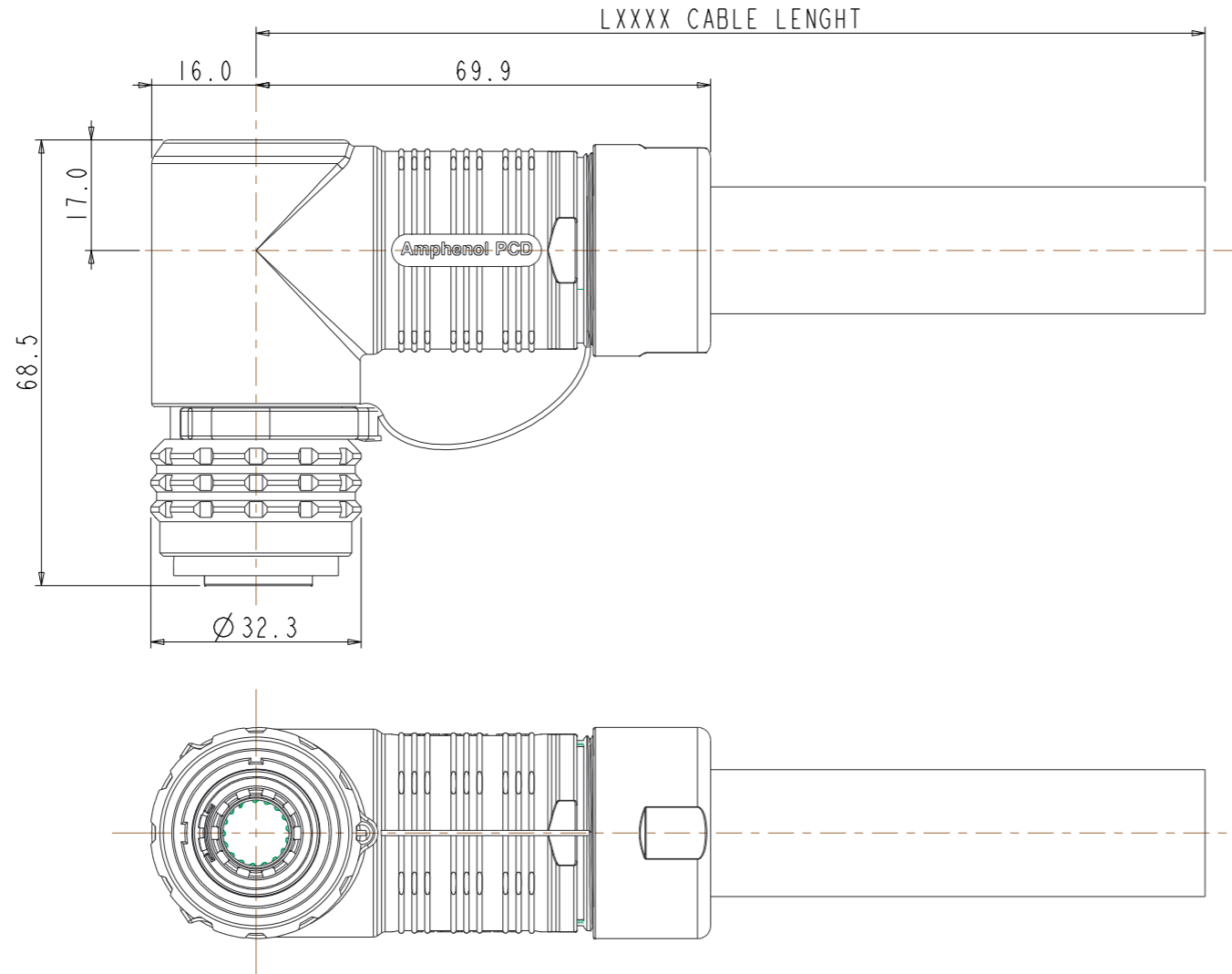


CUSTOMER DRAWING

REV	ECN	DESCRIPTION	DATE	MODIFIED
A		PRE-RELEASE	2016.03.08	ROY.QU



HOW TO ORDER THE PLUG

HVB19-05R10-XFCX-XX-FGXXLXXXX

1
2
3
4
5

1. HVIL CODE:
A: WITH HVIL
B: WITHOUT HVIL
2. ANGLE
3. COLOR
4. CABLE SIZE :
70: 70MM² CABLE (OD DEMAND 18.5 TO 20MM)
50: 50MM² CABLE (OD DEMAND 16 TO 17.5MM)
5. LXXXX: CABLE LENGTH(MM)

HVB19-05R10-XFCX-XX-FG-XXLXXXX

HVB19-05R10-XFCX-XX-FG-XXLXXXX

TECHNICAL DATA	
CURRENT RATE(70MM ² CABLE)	UP TO 250A
CURRENT RATE(50MM ² CABLE)	UP TO 180A
UL RATING VOLTAGE (OVERVOLTAGE CATEGORY II POLLUTION DEGREE 2)	1000V DC
OPERATING TEMPERATURE	-40~125°C
DIELECTRIC WITHSTANDING VOLTAGE	3000V AC
INSULATION RESISTANCE	2000MΩ MIN. 25°C, NO CABLE
DURABILITY	200 CYCLES
SHIELDING	YES
WATERPROOF(MATED CONDITION)	IP 67
PROTECTION LEVEL	IP2XB
AMBIENT TEMPERATURE	-40~70°C

WIHT HVIL		
P/N	DESCRIPTION	
	KEY OF ANGLE	COLOR
HVB19-05R10-AFCA-RD-FG-XXL0000	30°	RED
HVB19-05R10-AFCB-BK-FG-XXL0000	60°	BLACK
HVB19-05R10-AFCC-YL-FG-XXL0000	90°	YELLOW
HVB19-05R10-AFCD-GR-FG-XXL0000	120°	GREEN
HVB19-05R10-AFCE-BL-FG-XXL0000	150°	BLUE
HVB19-05R10-AFCF-PU-FG-XXL0000	180°	PURPLE

WIHTOUT HVIL		
P/N	DESCRIPTION	
	KEY OF ANGLE	COLOR
HVB19-05R10-BFCA-RD-FG-XXL0000	30°	RED
HVB19-05R10-BFCB-BK-FG-XXL0000	60°	BLACK
HVB19-05R10-BFCC-YL-FG-XXL0000	90°	YELLOW
HVB19-05R10-BFCD-GR-FG-XXL0000	120°	GREEN
HVB19-05R10-BFCE-BL-FG-XXL0000	150°	BLUE
HVB19-05R10-BFCF-PU-FG-XXL0000	180°	PURPLE

DIMENSIONS ANSI Y14.5M UNITS: MM Pro/E FILE	TOLERANCES .X ±0.3 .XX ±0.20 ANGLES ±0.5°	PROJECTION 	Amphenol Pcd Shenzhen		TITLE <h2 style="text-align: center;">HVBI-R10 R/A PLUG</h2>		
			ENGR SEVN.TAO 2016.03.08	CHKD	APPD	SIZE A3	DWG NO. HVB19-05R10-XFCX-XX-FG-XXLXXXX
ORIGINAL NOT FOR CUSTOMER DISTRIBUTION		THIS DOCUMENT CONTAINS PROPRIETARY INFORMATION WHICH IS THE CONFIDENTIAL PROPERTY OF AMPHENOL PCD SHENZHEN			CODE: 58982	SCALE: 2:1	SHEET 1 OF 1