

Features:

- High Luminous LEDs
- 5mm Round Standard Directivity
- Long Lifetime Operation
- Superior Weather-resistance
- UV Resistant Epoxy/Water Clear Type
- AC/DC LED

Applications

- Toys
- Audio
- Games
- Other lighting

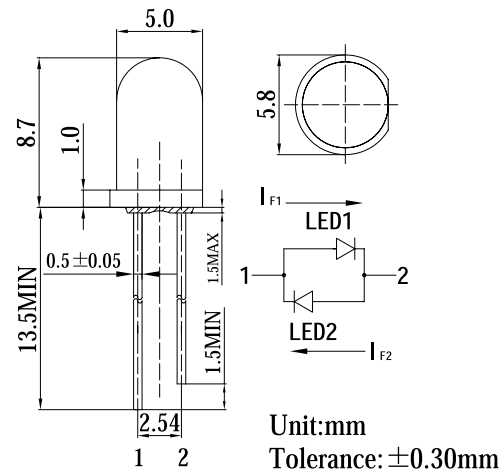
Absolute maximum rating (Ta=25°C)

Item	Symbol	Value		Unit
		LED1	LED2	
DC forward current	I_F	30	30	mA
Pulse forward current*	I_{FP}	100	100	mA
Reverse voltage	V_R	5	5	V
Power dissipation	P_D	108	108	mW
Operating temperature	T_{opr}	-30 to +85		°C
Storage temperature	T_{stg}	-40 to +100		°C
Lead soldering temperature	T_{sol}	260°C/5sec		-

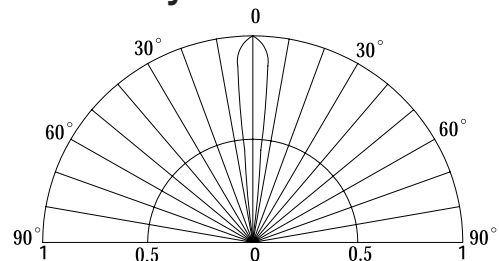
*Pulse width max. 10ms. Duty ratio max. 1/10



Outline dimensions:



Directivity:



Electrical - Optical characteristics (Ta=25°C)

Item	No.	Symbol	Condition	Min.	Typ.	Max.	Unit
DC forward voltage	LED1	V_{F1}	$I_{F1} = 20mA$	2.9	3.1	3.6	V
	LED2	V_{F2}	$I_{F2} = 20mA$	2.9	3.1	3.6	V
Domi. Wavelength*	LED1	λ_{D1}	$I_{F1} = 20mA$	520	525	530	nm
	LED2	λ_{D2}	$I_{F2} = 20mA$	520	525	530	nm
Luminous intensity*	LED1	I_{V1}	$I_{F1} = 20mA$	18000	22000	-	mcd
	LED2	I_{V2}	$I_{F2} = 20mA$	18000	22000	-	mcd
50% Power angle	LED1	$2\theta_{1/2}$	$I_{F1} = 20mA$	-	15	-	deg
	LED2	$2\theta_{1/2}$	$I_{F2} = 20mA$	-	15	-	deg

*1 Tolerance of dominant chromaticity is +10%
*2 Tolerance of luminous intensity is ±15%