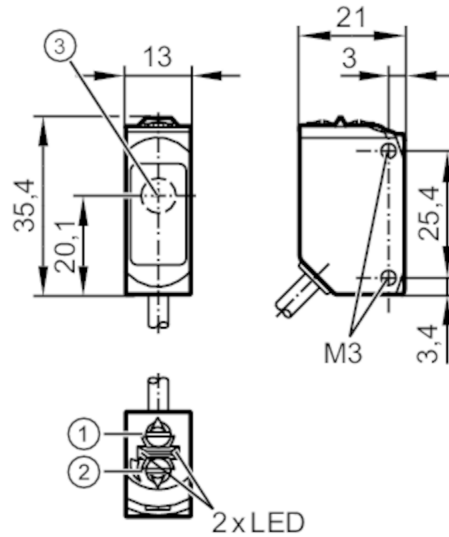


O6E200



Through-beam sensor receiver

O6E-FPKG



- 1 output function switch
- 2 potentiometer sensitivity
- 3 Light incidence



Product characteristics

Type of light	red light
Housing	rectangular
Dimensions [mm]	35.4 x 13 x 21

Application

Function principle	Through-beam sensor
--------------------	---------------------

Electrical data

Operating voltage [V]	10...30 DC
Current consumption [mA]	7; ((24 V))
Protection class	III
Reverse polarity protection	yes
Type of light	red light
Wave length [nm]	633

Outputs

Electrical design	PNP
Output function	light-on/dark-on mode; (selectable)
Max. voltage drop switching output DC [V]	2.5
Permanent current rating of switching output DC [mA]	100
Switching frequency DC [Hz]	1000
Short-circuit protection	yes
Type of short-circuit protection	pulsed

O6E200



Through-beam sensor receiver

O6E-FPKG

Detection zone		
Transmitter / receiver		receiver
Range [m]		< 10
Range adjustable		yes
Operating conditions		
Ambient temperature [°C]		-25...60
Protection		IP 65; IP 67
Tests / approvals		
EMC	EN 60947-5-2	
MTTF [years]		956
UL approval	UL Approval no.	E008
Mechanical data		
Weight [g]		59.5
Housing		rectangular
Dimensions [mm]		35.4 x 13 x 21
Materials		housing: ABS; PPSU; Sealing: EPDM
Lens material		PMMA
Lens alignment		side lens
Tightening torque [Nm]		0.5; (screws)
Displays / operating elements		
Display	switching status	1 x LED, yellow
	operation	1 x LED, green
Remarks		
Remarks		operating voltage "supply class 2" according to cULus
Pack quantity		1 pcs.

O6E200



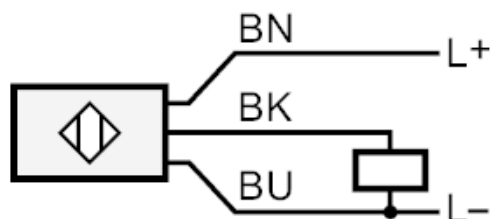
Through-beam sensor receiver

O6E-FPKG

Electrical connection

Cable: 2 m, PUR; 3 x 0.25 mm²

Connection

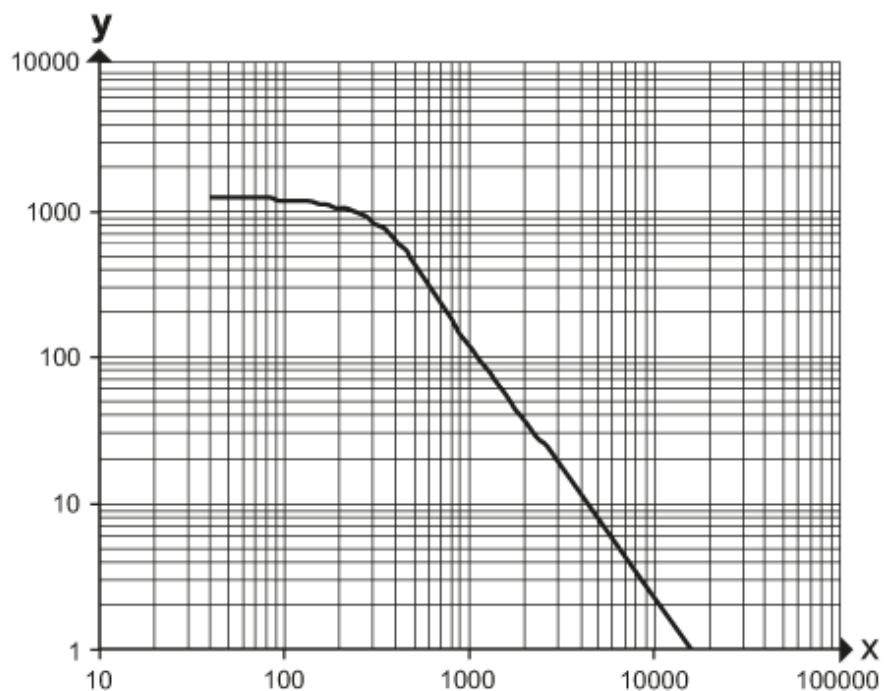


Core colours :

BK = black
BN = brown
BU = blue

Diagrams and graphs

excess gain graph



x: distance [mm]

y: excess gain factor