

## M12 male 90° / M12 female 0° DeviceNet

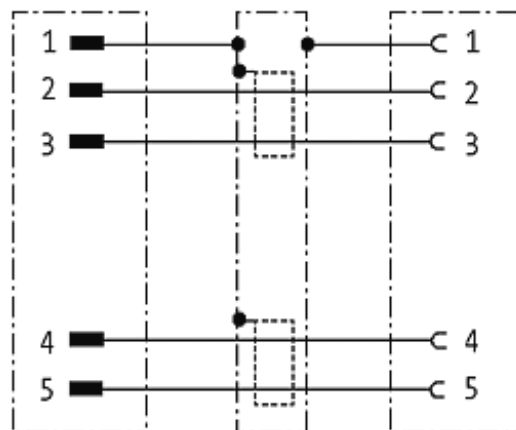
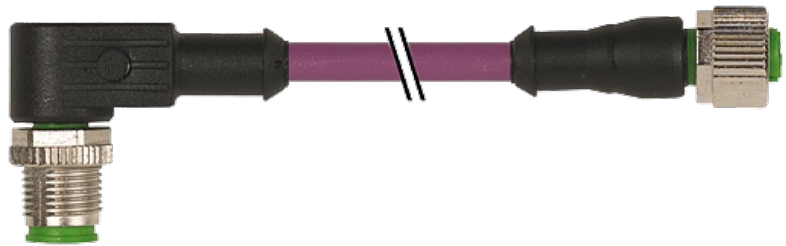
PUR AWG24+AWG22 shielded vt UL/CSA+drag ch. 1,7m

DeviceNet, CANopen  
 Male 90° to female straight  
 M12 - M12  
 5-pole, shielded

Plastic housings with good resistance against chemicals and oils. The resistance to aggressive media should be individually tested for your application. Further details on request. Further cable lengths on request.

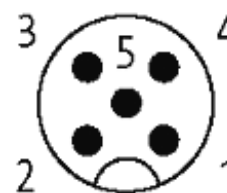
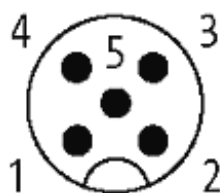
### [Link to Product](#)

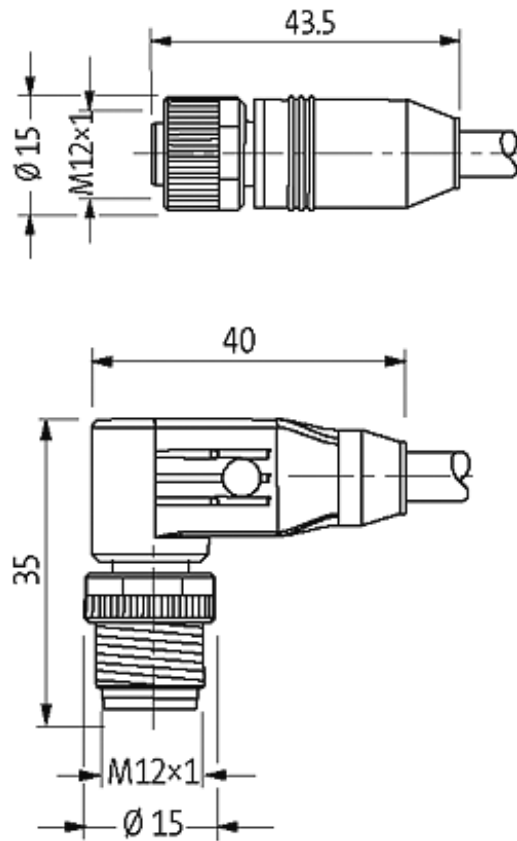
#### Illustration



Male

Female





Product may differ from Image