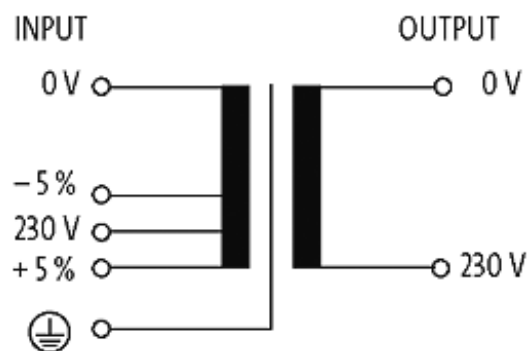


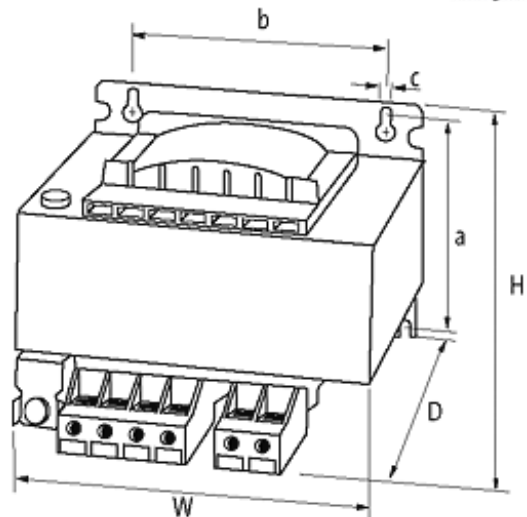
**MET 1-PHASE CONTROL AND ISOLATION TRANSFORMER**

P: 1000VA IN: 230VAC+/- 5% OUT: 230VAC

Single-phase - Control and Isolation Transformers  
1000 VA  
Isolation class T 60/B

[Link to Product](#)**Illustration**

stay connected



Product may differ from Image

### Approvals



### Input

|                       |                    |
|-----------------------|--------------------|
| Input voltage         | 230 V AC $\pm 5\%$ |
| Frequency             | 50...60 Hz         |
| Short-circuit current | 138 A (230 V AC)   |
| Input current         | 4.64 A (230 V AC)  |
| Inrush current        | 110 A (230 V AC)   |

### General data

|                          |   |
|--------------------------|---|
| Standards                | (EN 61558-1), (EN 61558-2-4), (EN 62041 category 0) |
| Test isolation voltage   | 4 kV (prim./sec.)                                   |
| Dimensions H x W x D     | 138x174x160 mm                                      |
| Fixing centers a x b x c | 111.5x135x7 mm                                      |
| Drill hole $\varnothing$ | 7x11 mm   |
| Mounting method          | Key-hole mounting                                   |
| Temperature range        | -20...+60 °C, no condensation                       |

### Output

|                |          |
|----------------|----------|
| Output voltage | 230 V AC |
|----------------|----------|

### Commercial data

|                        |          |
|------------------------|----------|
| country of origin      | CZ       |
| customs tariff number  | 85043180 |
| minimum order quantity | 1        |