

PLEASE CHECK WWW.MOLEX.COM FOR LATEST PART INFORMATION

Part Number: [1719821142](#)
Status: **Active**
Overview: Nano-Pitch I/O™ Interconnect System
Description: Nano-Pitch I/O™ Connector, Right Angle Receptacle, Through Hole, 42 Circuits

Documents:

[3D Model](#) [Packaging Specification PK-173307-0001 \(PDF\)](#)
[Drawing \(PDF\)](#) [RoHS Certificate of Compliance \(PDF\)](#)

General

Product Family	I/O Connectors
Series	171982
Application	Wire-to-Board
Component Type	Receptacle
Overview	Nano-Pitch I/O™ Interconnect System
Product Name	Nano-Pitch I/O™
Type	N/A
UPC	889056600668

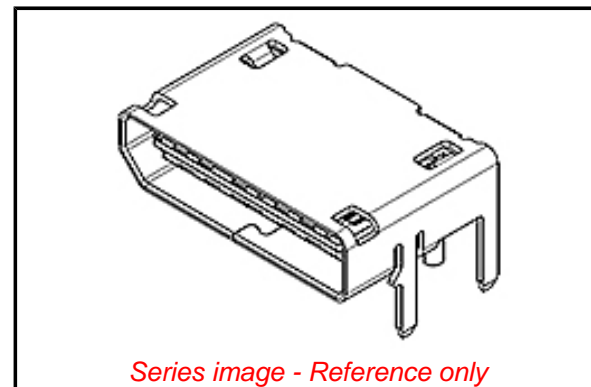
Physical

Circuits (Loaded)	42
Circuits (maximum)	42
Color - Resin	Black
Durability (mating cycles max)	50
Gender	Receptacle
Keying to Mating Part	None
Lock to Mating Part	Yes
Material - Metal	Copper Alloy
Material - Plating Mating	Gold over Nickel
Material - Plating Termination	Tin over Nickel
Material - Resin	High Temperature Thermoplastic
Net Weight	1.042/g
Number of Rows	2
Orientation	Right Angle
PCB Locator	Yes
PCB Retention	Yes
PCB Thickness - Recommended	1.57mm
Packaging Type	Embossed Tape on Reel
Panel Mount	No
Pitch - Mating Interface	0.50mm
Pitch - Termination Interface	0.50mm
Plating min - Mating	0.762µm
Plating min - Termination	2.540µm
Polarized to Mating Part	Yes
Polarized to PCB	Yes
Ports	1
Temperature Range - Operating	-40°C to +80°C
Termination Interface: Style	Through Hole
Waterproof / Dustproof	No

Electrical

Current - Maximum per Contact	0.5A
Grounding to Panel	None
Shielded	No
Voltage - Maximum	30V AC (RMS)/DC

Material Info



Series image - Reference only

EU ELV

Not Relevant

EU RoHS

Compliant

REACH SVHC

Not Contained Per -
ED/21/2016 (20 June
2016)

Halogen-Free

Status

Low-Halogen

**Need more information on product
environmental compliance?**

Email productcompliance@molex.com
Please visit the [Contact Us](#) section for any
non-product compliance questions.

China ROHS

ELV

Green Image

Not Relevant

Search Parts in this Series

[171982 Series](#)

Reference - Drawing Numbers

Electrical Model Document	EE-171982-0010
Packaging Specification	PK-173307-0001
S-Parameter Model	SP-171982-0010
Sales Drawing	SD-171982-1000
Symbol/Footprint Data	SYM-171982-1142

This document was generated on 07/08/2016

PLEASE CHECK WWW.MOLEX.COM FOR LATEST PART INFORMATION