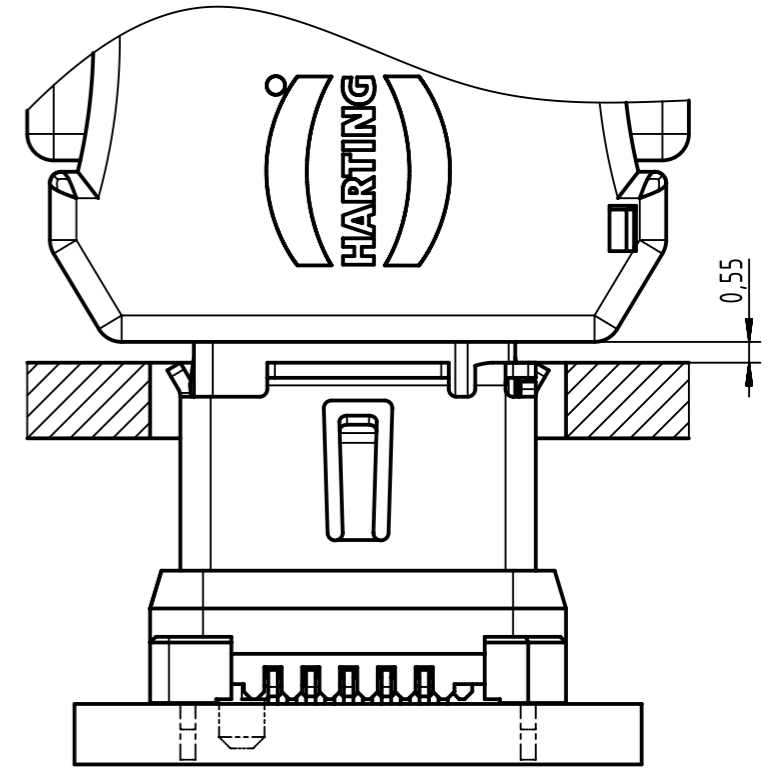
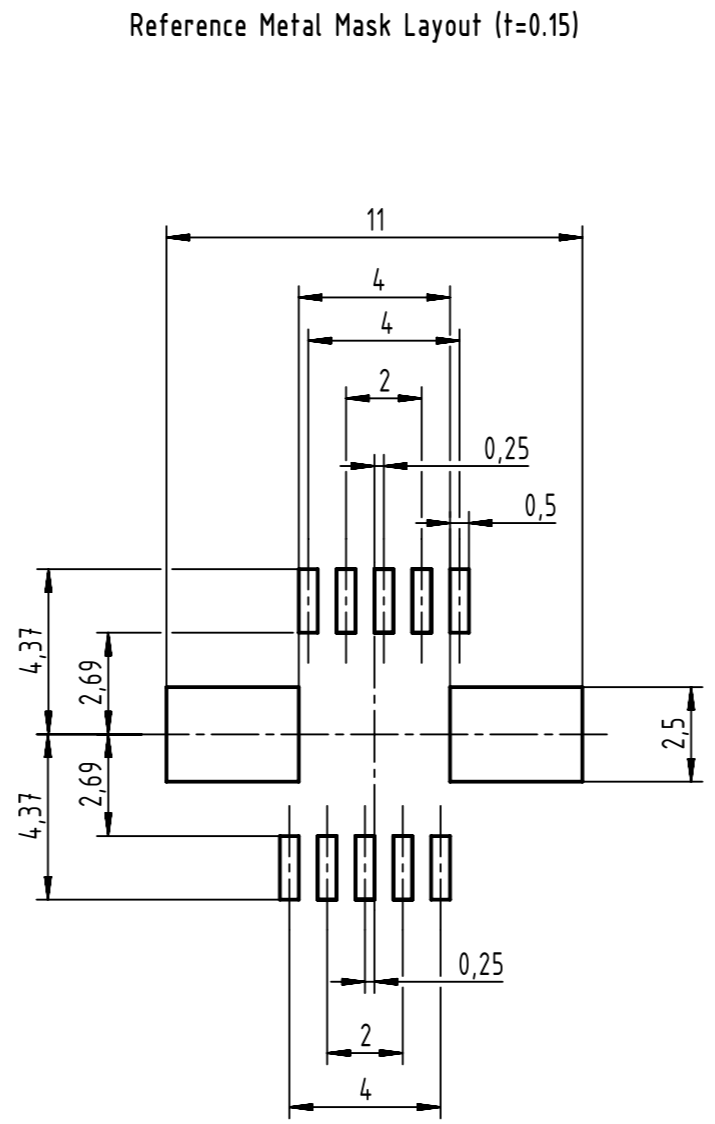
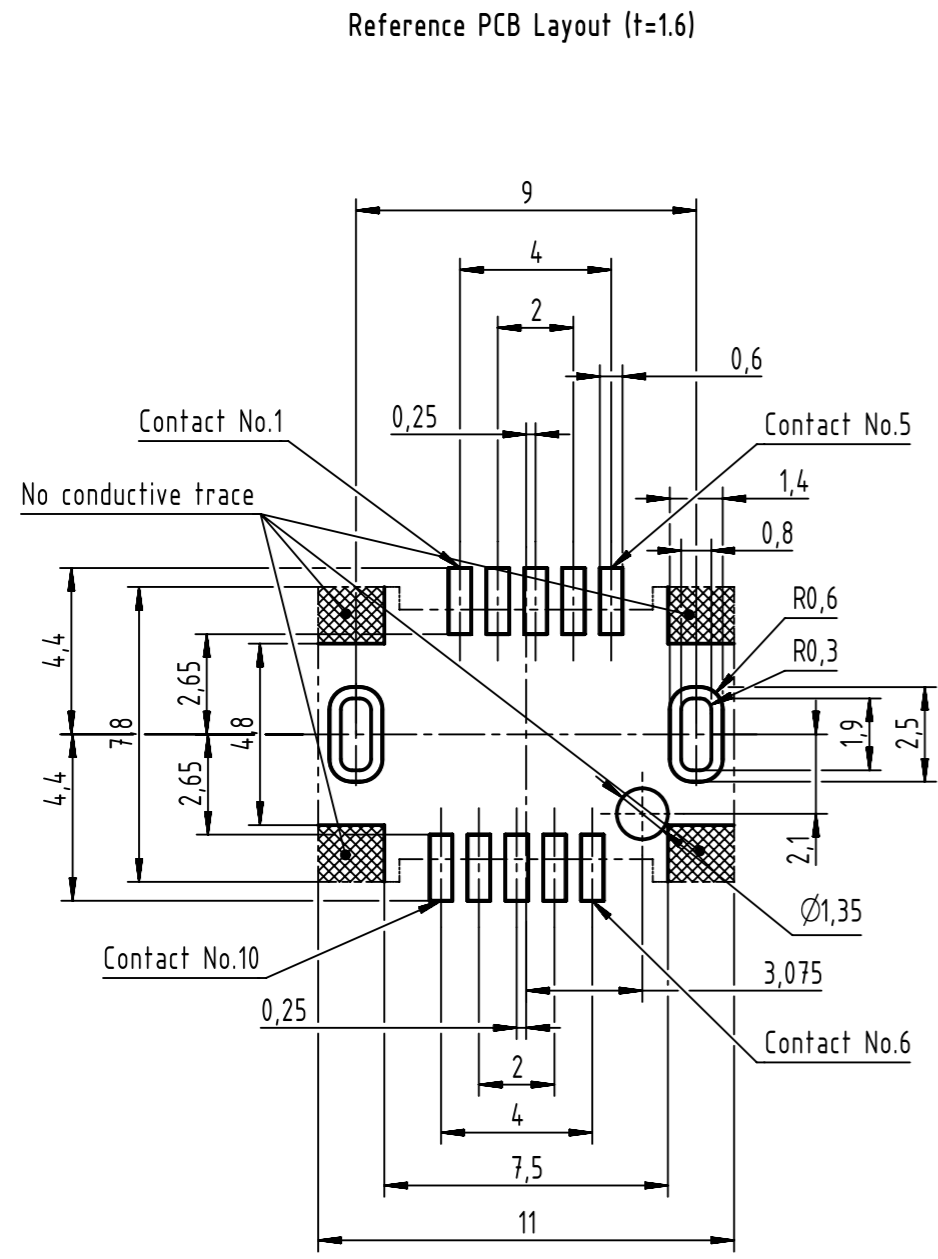


Contact No.	Signal	
	10/100 Mbit/s	1/10 Gbit/s
1	TX+	BI_DA+
2	TX-	BI_DA-
3	N.C.	GND
4	N.C.	BI_DC+
5	N.C.	BI_DC-
6	RX+	BI_DB+
7	RX-	BI_DB-
8	N.C.	GND
9	N.C.	BI_DD+
10	N.C.	BI_DD-

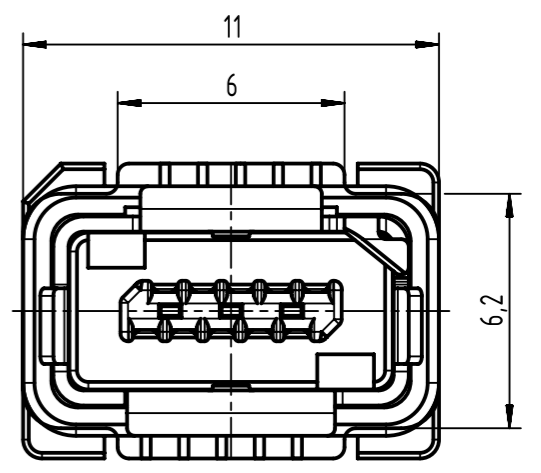
09452819002: Tape & reel packaging (450 pcs.)
 09452819002333: Single packaging (1 pcs.)

This product is mounted by reflow soldering.
 Contact material: copper alloy
 Contact area: 0.2µm min.
 Lead area: 0.03µm min.
 Under plating: 2µm min.

	All rights reserved Department EL PD HARTING Electronics GmbH D-32339 Espelkamp	All Dimensions in mm Original Size DIN A3	Scale 5:1	Free size tol.	Ref. Sub.
		Created by POPESCUD	Inspected by PRIESTER	Standardisation HOFFMANN	Date 2018-08-27
Title ix Industrial 10B-1 jack V (T&R450)					Doc-Key / ECM-Nr. 100801918/UGD/000/A 500000138273
Type TB		Number 09452819002			Rev. A
					Page 1/3

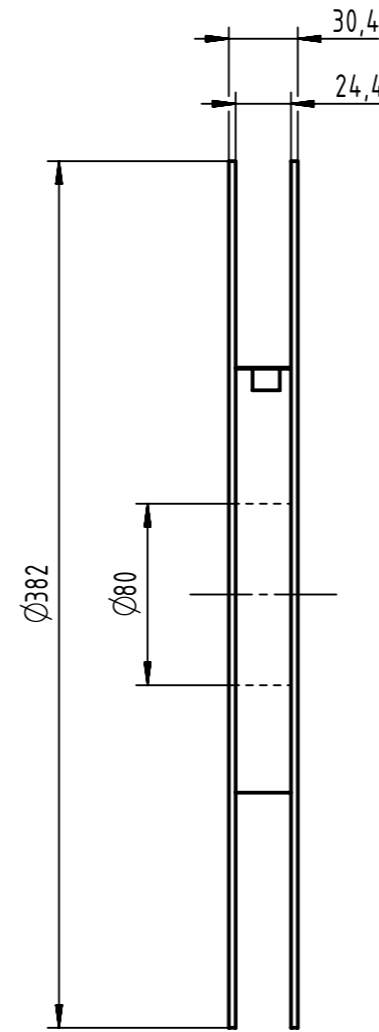
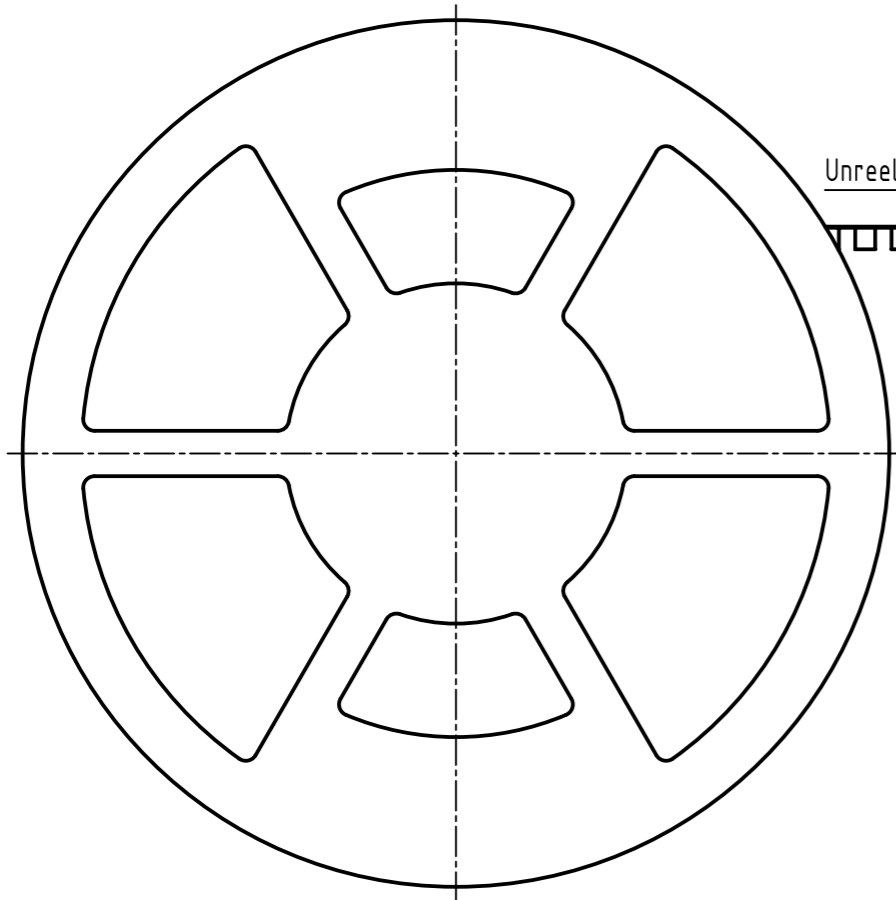
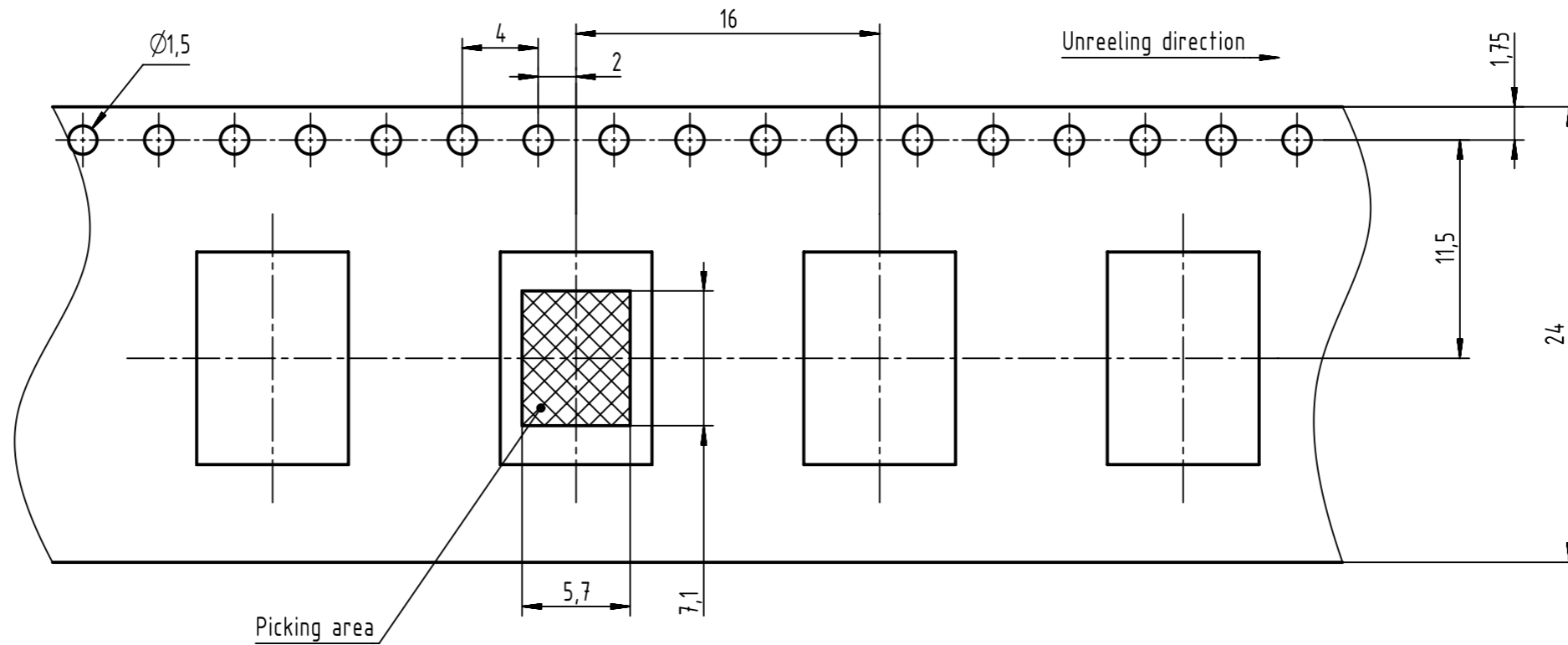


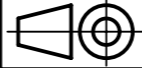
REFERENCE DIMENSIONS OF PANEL CUT OUT



	All rights reserved		Created by		Inspected by		Standardisation		Date		State		
	Department EL PD		POPESCUD		PRIESTER		HOFFMANN		2018-08-27		Final Release		
HARTING Electronics GmbH		ix Industrial 10B-1 jack V (T&R450)										Doc-Key / ECM-Nr.	
D-32339 Espelkamp		Type TB		Number 09452819002				Rev. A		Page 2/3			
				Scale 5:1		Free size tol.		Ref.		Sub.			
				All Dimensions in mm		Original Size DIN A3							

Drawing for packing



	All rights reserved Department EL PD	All Dimensions in mm Original Size DIN A3			Scale 5:1	Free size tol.	Ref. Sub.
		Created by POPESCU	Inspected by PRIESTER	Standardisation HOFFMANN	Date 2018-08-27	State Final Release	
HARTING Electronics GmbH D-32339 Espelkamp		Title ix Industrial 10B-1 jack V (T&R450)				Doc-Key / ECM-Nr. 100801918/UGD/000/A 500000138273	
		Type TB	Number 09452819002			Rev. A	Page 3/3